



Architectural Design Associates, P.C.

ADDENDUM NUMBER THREE

DATE: March 7, 2016

PROJECT: UNK West Center Restroom Accessibility Upgrades

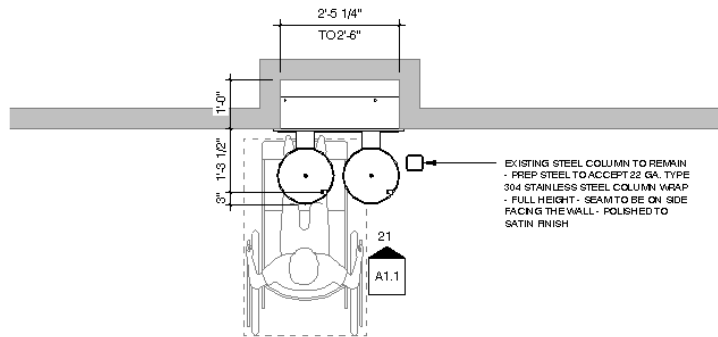
This Addendum is issued by the Architect to all bidders of record prior to the receipt of proposals. This Addendum modifies only those portions of the proposed Contract Documents as described below and all other portions of the proposed Contract Documents remain unchanged and in full effect.

PROJECT MANUAL

1. SECTION 00 11 16 – Invitation to Bid – 2.0 Time and Place for Receipt of Bids, A – Closing Date and Time for Receipt of Bids: March 15, 2016, 4:00 PM CST

DRAWINGS

1. SHEET A1.1 – Detail 6 – TYPICAL WATER COOLER PLAN – Wrap existing structural steel column as shown:



 **6 TYPICAL WATER COOLER PLAN**
A1.1 1/2" = 1'-0"

2. SHEET A1.1 – TOILET ACCESSORY SCHEDULE NOTES: See note 3 for toilet partition support hangers – lights will be relocated as necessary to avoid new partition supports.

END OF ADDENDUM #3