



ARCHITECTURE • ENGINEERING • INTERIOR DESIGN

ADDENDUM

PROJECT: University of South Dakota
Pardee Lab - SEM
Vermillion, South Dakota

ADDENDUM NUMBER

AD-2

ISSUED BY:

Matt Metcalf, Architect
Jeff Kulhanek, Mechanical Engineer
Kori Hickle, Electrical Engineer

PROJECT #: 14-0218

DATE ISSUED: Monday, November 10, 2014

This addendum is issued by the Architect to all known bidders before receipt of proposals, for the purpose of explaining, interpreting, or modifying the original plans and specifications. When enumerated by the bidder upon the proposal sheet, the information or instructions given hereon will be equally binding upon all parties as if included in the original plans and specifications.
BIDDER MUST ENTER THE NUMBER OF THIS ADDENDUM ON HIS PROPOSAL SHEET

THE FOLLOWING ITEMS ARE APPLICABLE TO THE SPECIFICATIONS:

AD-2, ITEM 1:

In reference to specification Section 081113 - Hollow Metal Doors and Frames, remove all references to Hollow Metal Doors.

THE FOLLOWING ITEMS ARE APPLICABLE TO THE DRAWINGS:

AD-2, ITEM 2:

In reference to Sheet A-102, Detail 1, change to Detail 1 as shown on attached Supplemental Drawing A-102.2.

AD-2, ITEM 3:

In reference to Sheet A-102, see attached Supplemental Drawing A-102.3 for gas cylinder restraint plan and elevation.

AD-2, ITEM 4:

In reference to Sheet M-102, keyed Note #2 shall be replaced to read as follows:

Connect new nitrogen and compressed air to the owner provided microscope. Manufacturer literature details that the connector style is a quick exchange connector. Verify exact style and size as required. Connector hose with the microscope is 10 meters long, so piping may be located at wall. Provide union, pressure regulator and shutoff valve prior to connector.

AD-2, ITEM 5:

In reference to Sheet M-102, keyed note 3 shall read as follows:

Extend ½" nitrogen piping up to floor above and connect to the existing nitrogen generator supply piping. Coordinate any required shutdowns with the owner.

AD-2, ITEM 6:

In reference to Sheet M-102, Keyed Note 4 – Column line 4 is 23 feet South of Column line 3.

AD-2, ITEM 7:

In reference to Sheet M-102, see attached Supplemental Drawing M-102.2 for additional nitrogen and vacuum piping.

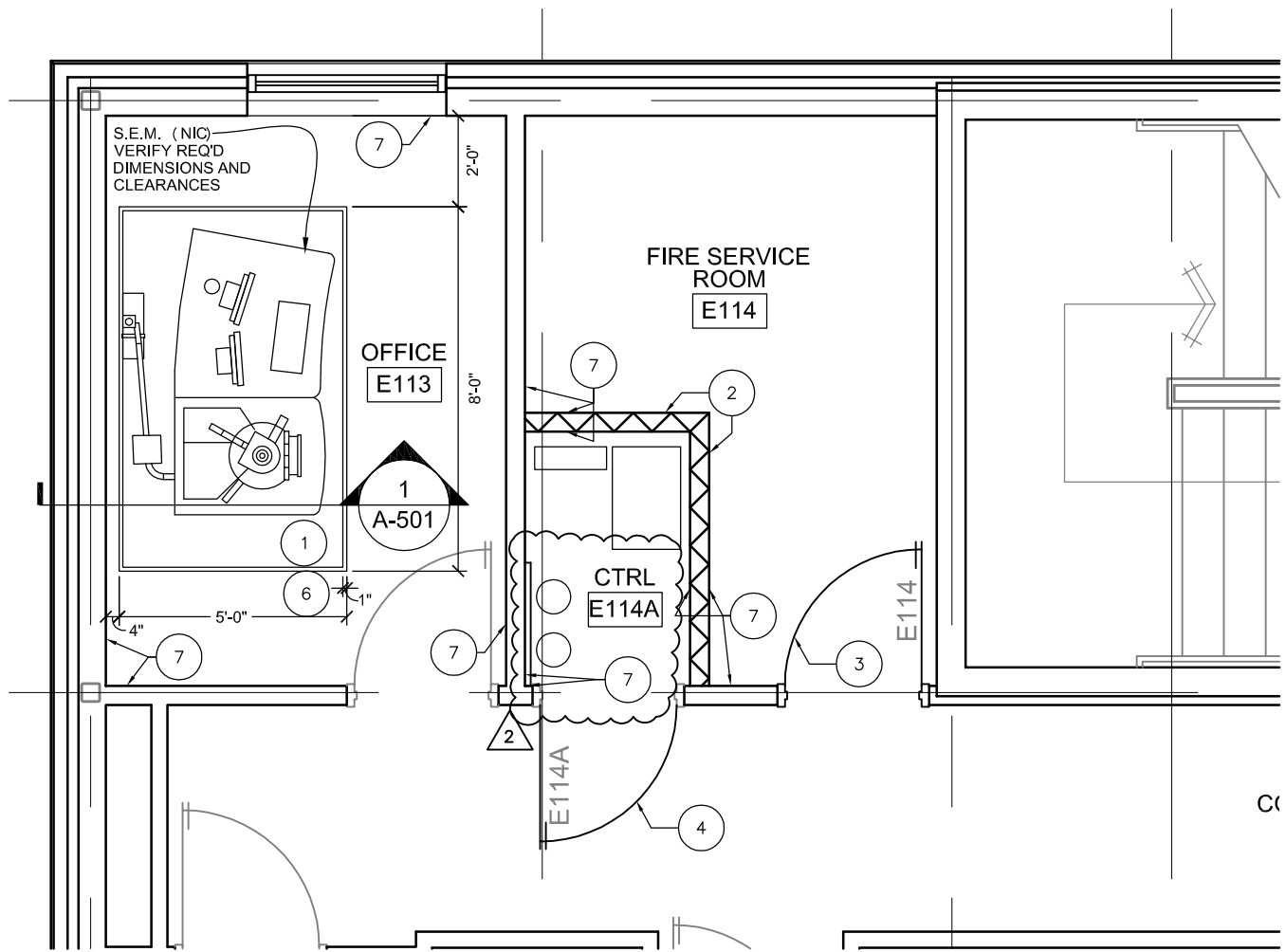
AD-2, ITEM 8:

In reference to Sheet E-102, CTRL E114A; power for vacuum pump comes from control box at the back of SEM located in Office E113. Provide conduit and wire as required from control box at back of SEM to vacuum pump. Coordinate exact requirements with equipment supplier.

AD-2, ITEM 9:

In reference to AD-1 - Item #14, NEMA configuration shall be 'L6-20R' in lieu of '6-20R'. Contractor to provide plug for end of power cable supplied with equipment.

END AD-2




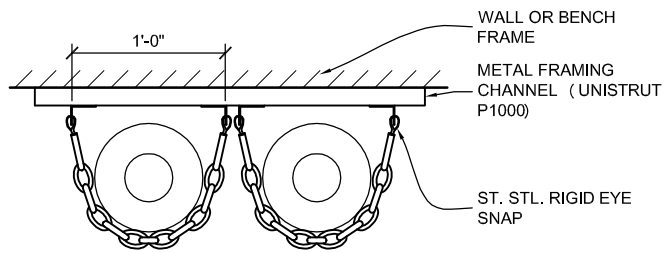
1

Partial Floor Plan

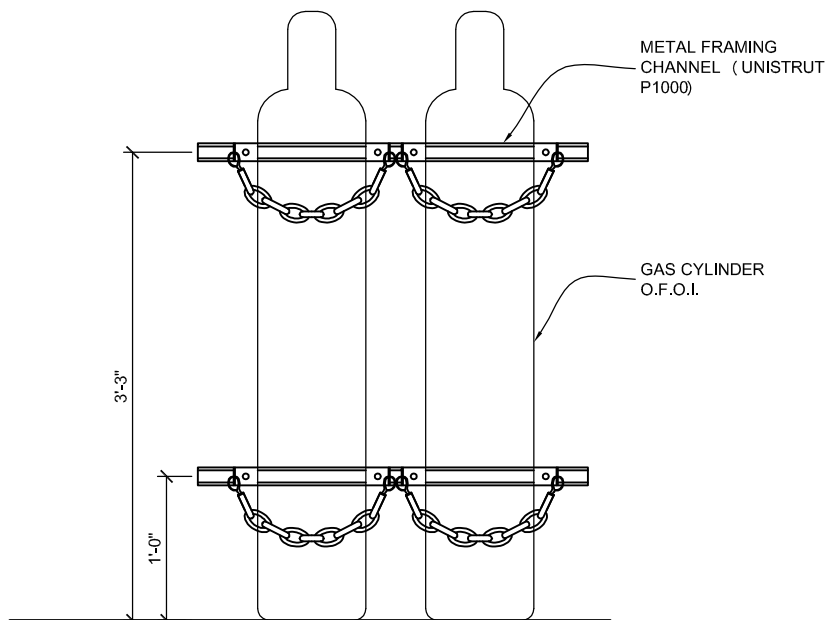
Scale: 1/4" = 1'-0"

2 11/10/2014 ADDENDUM 2

 <p>DAVIS DESIGN ARCHITECTURE ENGINEERING INTERIOR DESIGN</p>	<p>Lincoln 1221 N Street, Suite 600 Lincoln NE 68508 Phone 402-476-9700 Fax 402-476-9722</p>	<p>Client Information University of South Dakota Vermillion, SD</p>	<p>Issue Date 11-04-2014 Job # 14-0218 Drawn by: KTR CADD file: A-101 COPYRIGHT © DAVIS DESIGN ALL RIGHTS RESERVED</p>
	<p>Vermillion 15 East Main, Suite 201 Vermillion SD 57069 Phone 605-624-1081</p>	<p>Project Information Pardee-Lab SEM</p>	<p>Drawing Title Construction Plan</p>
			<p>From Sheet: A-102 for CA use: Drawing # A-102.2</p>



1 **Plan**
Scale: 3/4" = 1'-0"




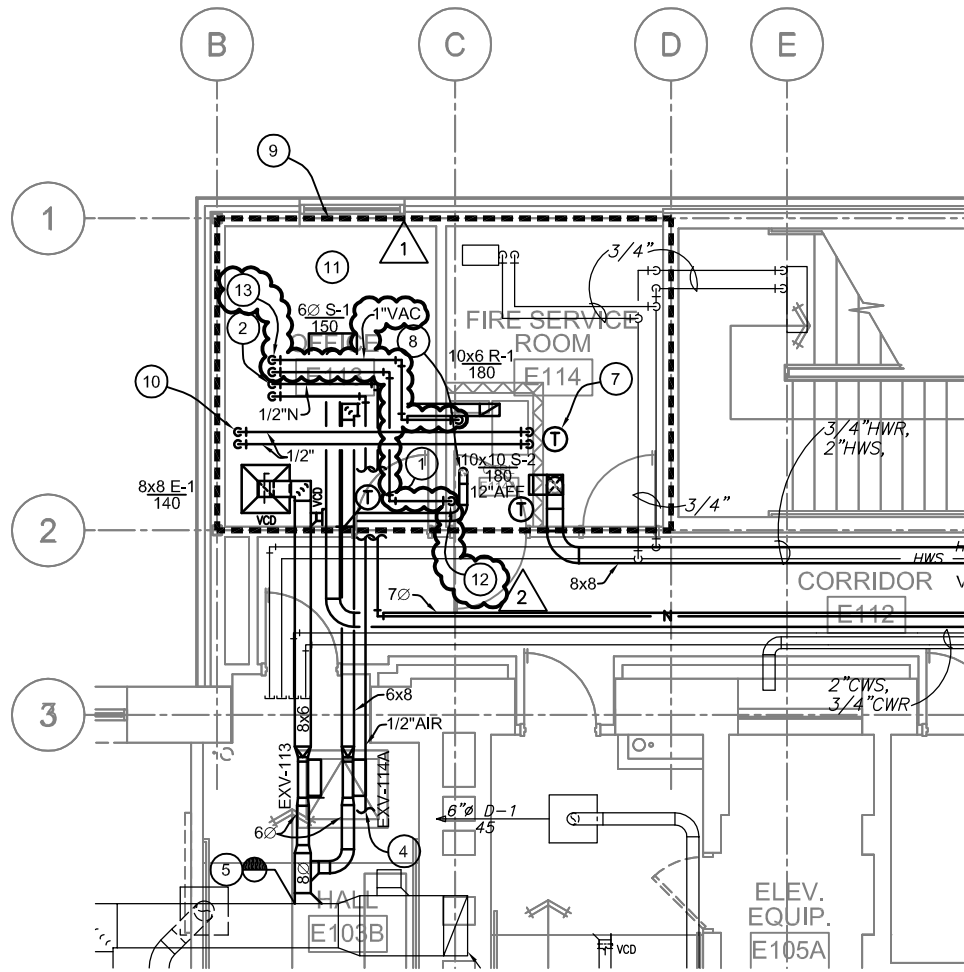
2 **Front Elevation**
Scale: 3/4" = 1'-0"

GAS CYLINDER RESTRAINT

Scale: AS NOTED

2 11/10/2014 ADDENDUM 2

 <p>DAVIS DESIGN ARCHITECTURE ENGINEERING INTERIOR DESIGN</p>	<p>Lincoln 1221 N Street, Suite 600 Lincoln NE 68508 Phone 402-476-9700 Fax 402-476-9722</p>	<p>Client Information University of South Dakota Vermillion, SD</p>	<table border="1"> <tr> <td>Issue Date</td> <td>11-04-2014</td> </tr> <tr> <td>Job #</td> <td>14-0218</td> </tr> <tr> <td>Drawn by:</td> <td>KTR</td> </tr> <tr> <td>CADD file:</td> <td>A-101</td> </tr> <tr> <td colspan="2">COPYRIGHT © DAVIS DESIGN ALL RIGHTS RESERVED</td> </tr> </table>	Issue Date	11-04-2014	Job #	14-0218	Drawn by:	KTR	CADD file:	A-101	COPYRIGHT © DAVIS DESIGN ALL RIGHTS RESERVED	
	Issue Date	11-04-2014											
	Job #	14-0218											
	Drawn by:	KTR											
CADD file:	A-101												
COPYRIGHT © DAVIS DESIGN ALL RIGHTS RESERVED													
<p>Vermillion 15 East Main, Suite 201 Vermillion SD 57069 Phone 605-624-1081</p>	<p>Project Information Pardee-Lab SEM</p>	<p>Drawing Title Gas Cylinder Restraint Details</p>	<table border="1"> <tr> <td>From Sheet:</td> <td>A-102</td> <td>for CA use:</td> </tr> <tr> <td>Drawing #</td> <td>A-102.3</td> <td></td> </tr> </table>	From Sheet:	A-102	for CA use:	Drawing #	A-102.3					
From Sheet:	A-102	for CA use:											
Drawing #	A-102.3												



- 12 PROVIDE CONNECTION POINTS FOR 2 CYLINDERS AT THIS LOCATION. PROVIDE ISOLATION VALVE, PRESSURE REDUCING VALVE AND PIG TAIL WITH CONNECTOR.
- 13 EXTEND 1" VACUUM PIPING FROM PUMP TO BACK OF MICROSCOPE. VERIFY EXACT LOCATION WITH THE CONTRACTOR.




1

Mechanical Plan

Scale: 1/8" = 1'-0"

2 11/10/2014 ADDENDUM 2

 <p>DAVIS DESIGN ARCHITECTURE ENGINEERING INTERIOR DESIGN</p>	<p>Lincoln 1221 N Street, Suite 600 Lincoln NE 68508 Phone 402-476-9700 Fax 402-476-9722</p>	<p>Client Information University of South Dakota</p>	<p>Issue Date 11-10-2014 Job # 14-0218 Drawn by: EMA CADD file: M-102.dwg <small>COPYRIGHT © DAVIS DESIGN ALL RIGHTS RESERVED</small></p>	
	<p>Vermillion 15 East Main, Suite 201 Vermillion SD 57069 Phone 605-624-1081</p>	<p>Vermillion, SD</p>	<p>Drawing Title Mechanical Plan</p>	
	<p>Project Information Pardee-Lab SEM</p>		<p>From Sheet: M-102 for CA use:</p>	<p>Drawing # M-102.2</p>