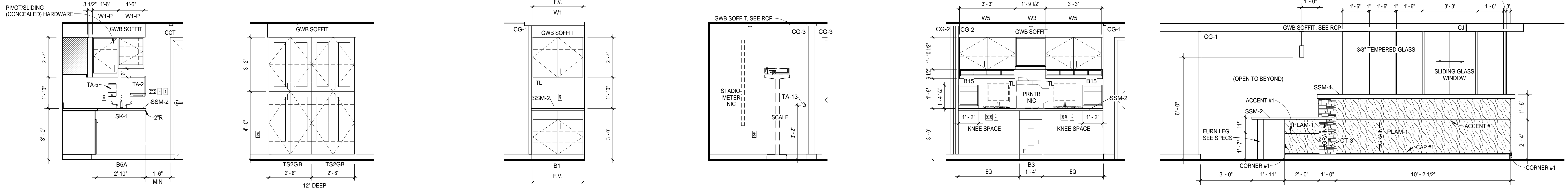
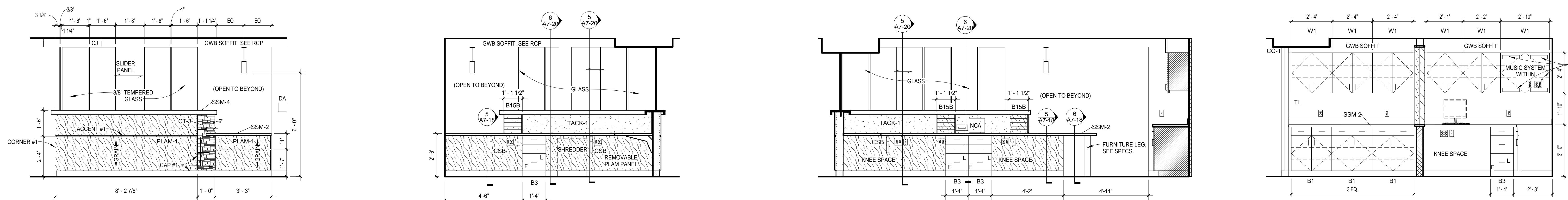


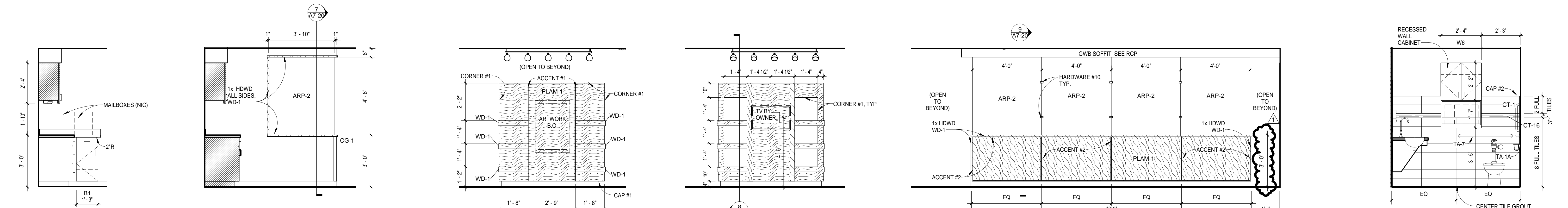
1 SPC BARIATRIC EXAM H 3/8" = 1'-0"
 2 SPC BARIATRIC EXAM G 3/8" = 1'-0"
 3 SPC BARIATRIC EXAM F 3/8" = 1'-0"
 4 SPC BARIATRIC EXAM E 3/8" = 1'-0"
 5 SPC BARIATRIC EXAM A 3/8" = 1'-0"



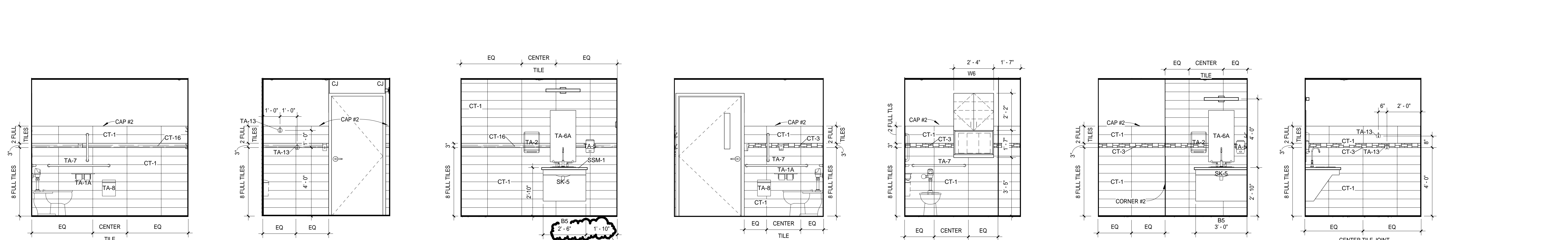
6 SPC BARIATRIC EXAM B 3/8" = 1'-0"
 7 SPC BARIATRIC EXAM C 3/8" = 1'-0"
 8 VITALS 3/8" = 1'-0"
 9 VITALS ALCOVE - B 3/8" = 1'-0"
 10 SPC NURSE 3/8" = 1'-0"
 11 RECPT/SCH A 3/8" = 1'-0"



12 SPC WAITING B 3/8" = 1'-0"
 13 SPC RECEPTION A 3/8" = 1'-0"
 14 SPC RECEPTION B 3/8" = 1'-0"
 15 SPC RECEPTION C 3/8" = 1'-0"



16 SPC RECEPTION D 3/8" = 1'-0"
 17 RECEPT/ SCHEDULING DIVIDER WALL 3/8" = 1'-0"
 18 MAGAZINE DIVIDER BACK 3/8" = 1'-0"
 19 MAGAZINE RACK 3/8" = 1'-0"
 20 DIVIDER WALL 3/8" = 1'-0"
 21 SPC - TOILET CABINET 3/8" = 1'-0"



22 TLT - B 3/8" = 1'-0"
 23 TLT - C 3/8" = 1'-0"
 24 TLT - D 3/8" = 1'-0"
 25 TLT 1356 - A 3/8" = 1'-0"
 26 TLT 1356 - B 3/8" = 1'-0"
 27 TLT 1356 - C 3/8" = 1'-0"
 28 TLT 1356 - D 3/8" = 1'-0"

ALTUS
 architectural studios

12925 West Dodge Road
 Omaha, NE 68154
 Phone: 402.334.2422 Fax: 402.334.9023
 altusstudios.com

architecture design planning

Consultants:
SES SPECIALIZED ENGINEERING SOLUTIONS
 10300 Ellison Circle Omaha, NE 68134 Phone: 402.991.5520 www.specializedeng.com

TD2
 engineering & surveying

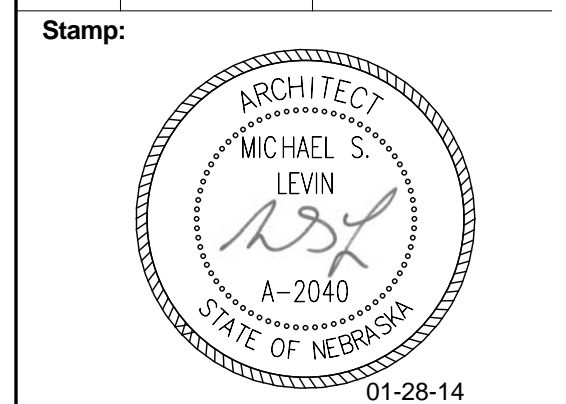
Contractor:
Sampson
 Construction

Client:
YORK GENERAL HEALTH CARE SERVICES

Project Title:
HOSPITAL ADDITION AND REMODEL

© 2014 Altus Architectural Studios Inc. This document is specifically designed for construction by Altus Architectural Studios and permission to use/copy this document in part or whole without written consent of Altus is prohibited.

Rev	Date	Description
1	02/25/2014	Addm No.1



Drawn By: Project Manager:
 MSL

Project Number:
 24902
 Date:
 01/28/2014

Sheet Title:
SPECIALTY CLINIC ELEVATIONS

Sheet Number:
A7-7