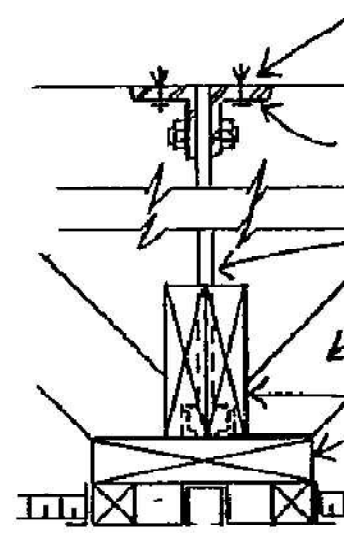
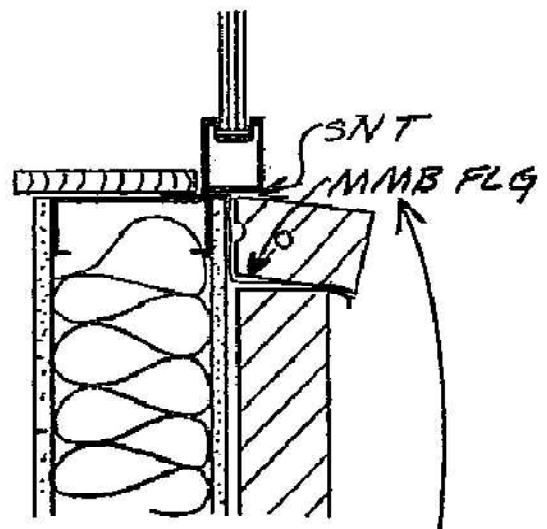


45

52

MMB FLG
103'-2 1/2"
BOT. STRUC.



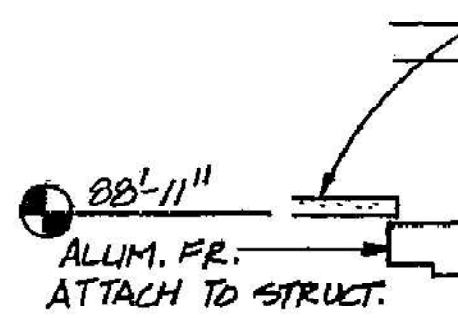
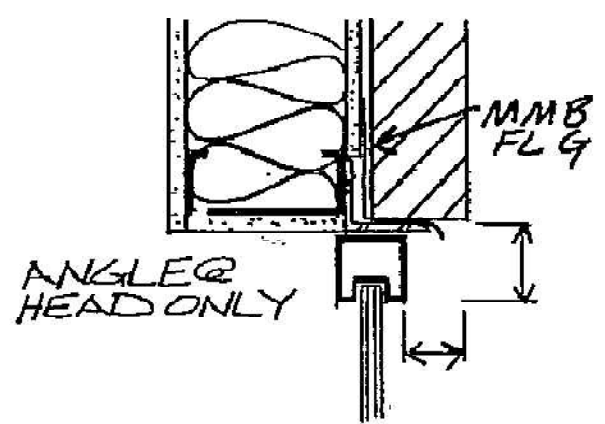
101'-6 1/8"
2ND FLR. CHT

MATCH SIGHT LINES &
DIMENSIONS OF EXG
WINDOW DETAILS

46

53

92'-6 1/8"
TOP OF STRUC.
CLOSURE ANGLE



MATCH SIGHT LINES
AND DIMENSIONS OF
EXG WINDOW DETAILS

47

54

