
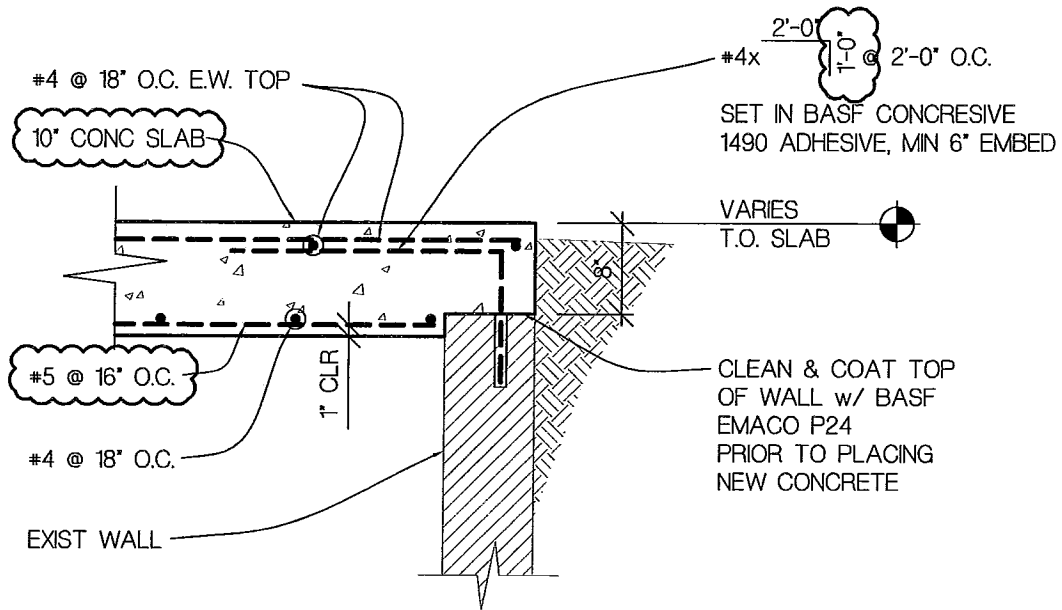


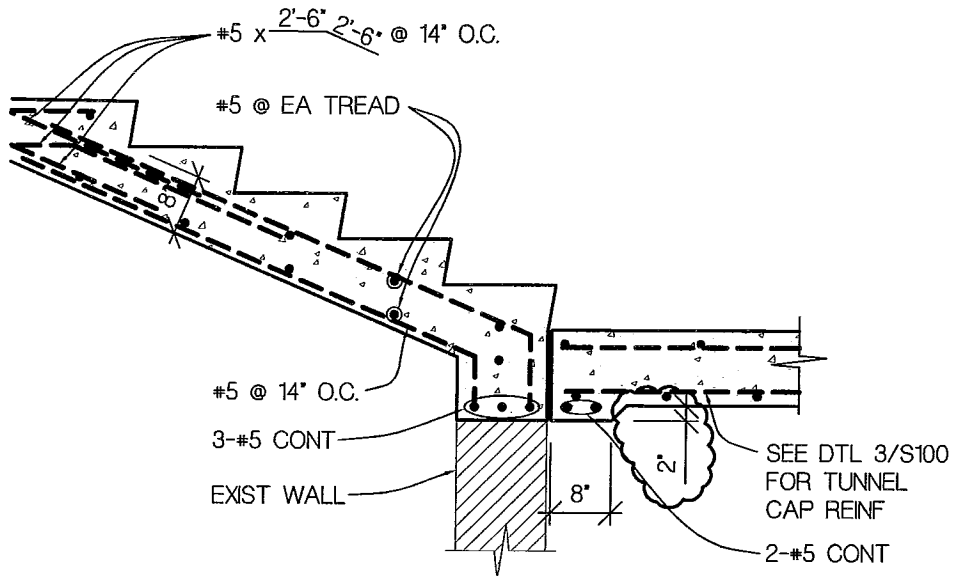
PARTIAL REVISED TUNNEL CAP REPLACEMENT PLAN

NRC - TUNNEL LID REPLACEMENT				
	R. O. YOUKER, INC. CONSULTING ENGINEERS	Erickson Sullivan Architects 209 S. 9th St. Lincoln, NE 68508	aS-1	
	1201 O STREET SUITE 310 LINCOLN, NEBRASKA 68508 402-477-7640	Engr Project No. 13001		Date: 4/17/13
		Scale: 1/8" = 1'-0"		Drawn By: mwo
			Ref Sheet: S100	



REVISED DETAIL 3/S100


Scale: 3/4"=1'-0"



PARTIAL REVISED DETAIL 2/S100

Scale: 1/2"=1'-0"

NRC - TUNNEL LID REPLACEMENT

 **R. O. YOUKER, INC.**
CONSULTING ENGINEERS
1201 O STREET SUITE 310 LINCOLN, NEBRASKA 68508 402-477-7640

Erickson Sullivan Architects
209 S. 9th St. Lincoln, NE 68508

Engr Project No. 13001

Date: 4/17/13

Scale: As Noted

Drawn By: mwo

aS-2

Ref Sheet: S100