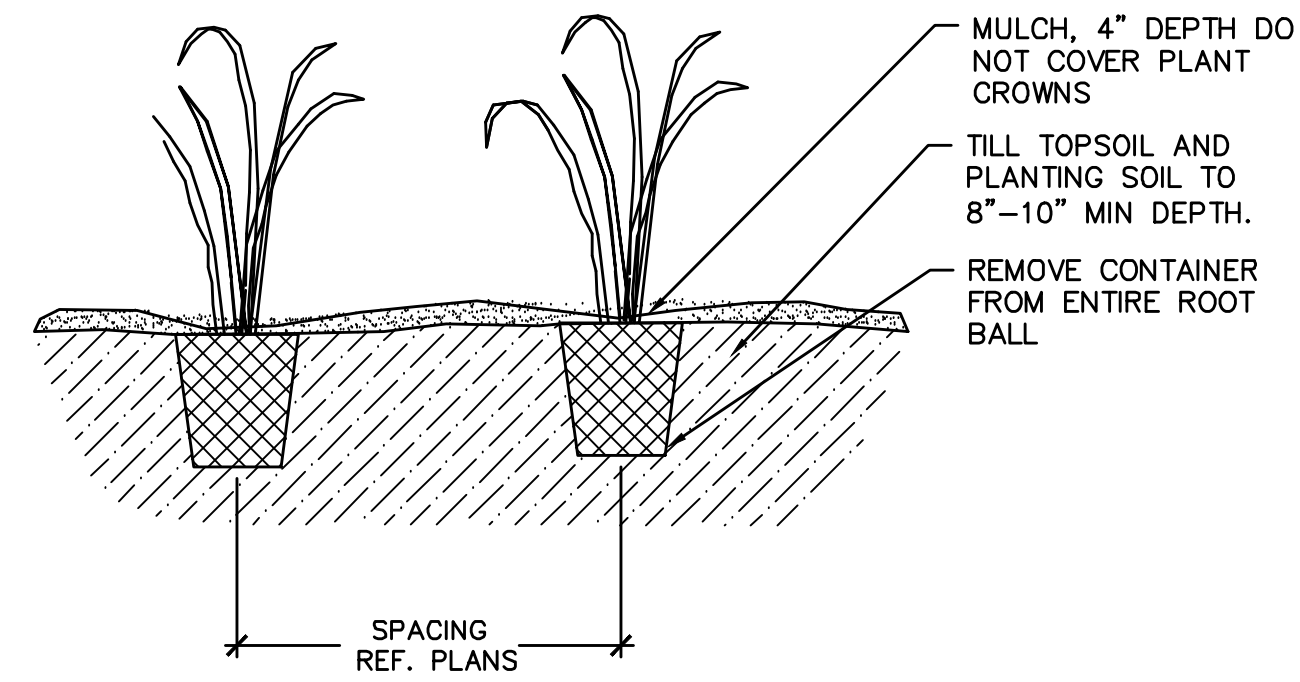
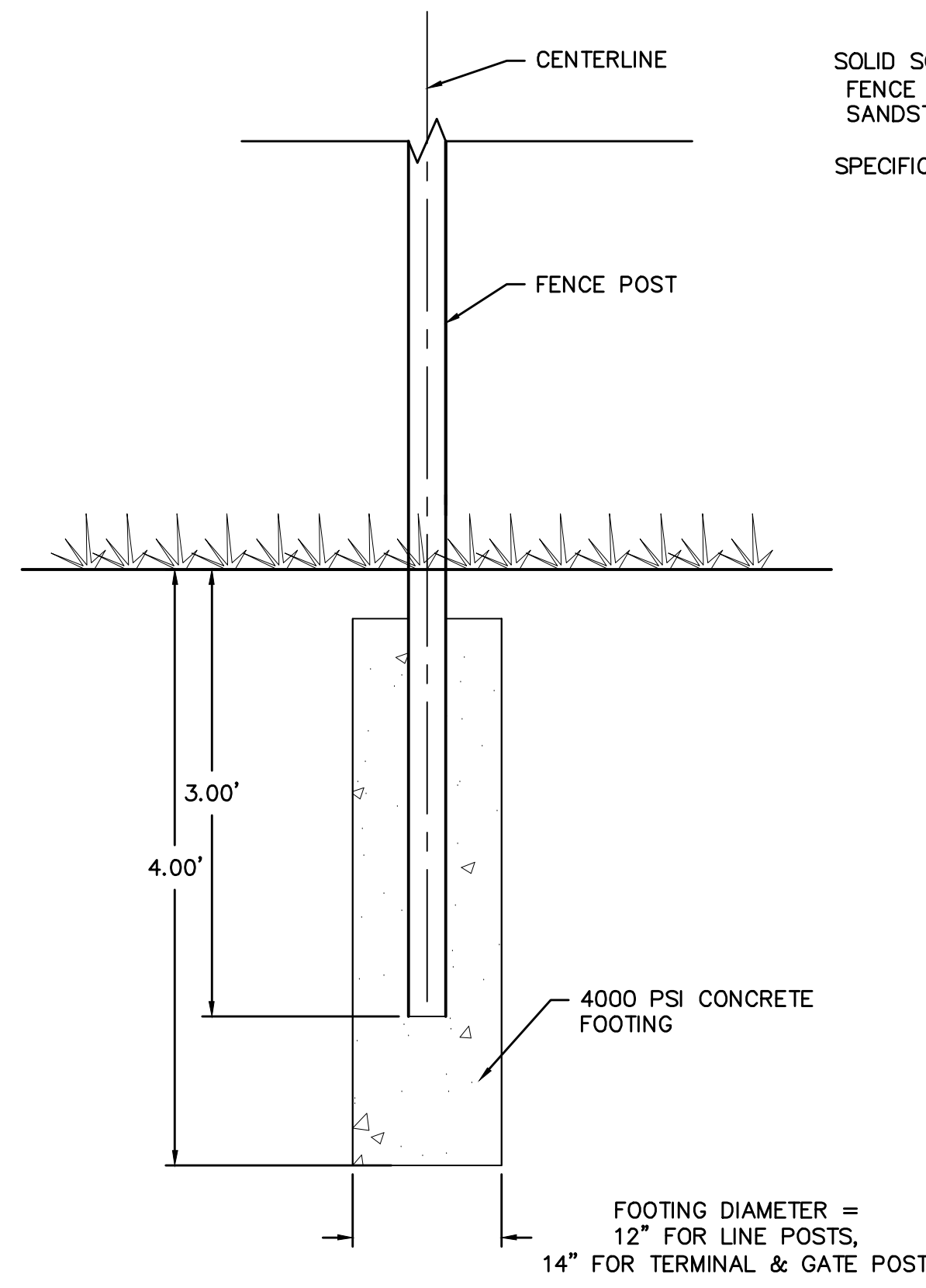


# LPS DISTRICT OFFICE LANDSCAPE DETAILS

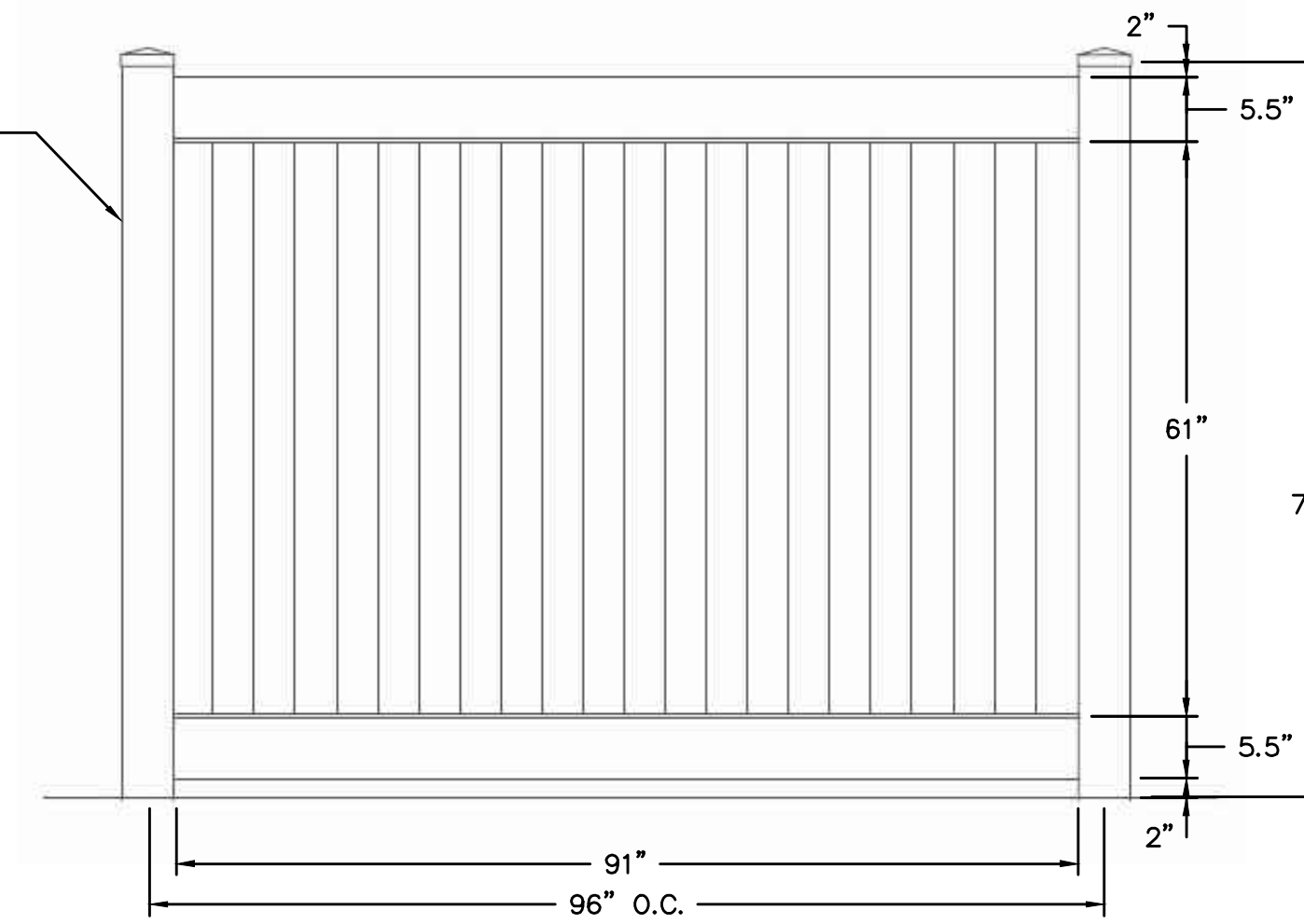
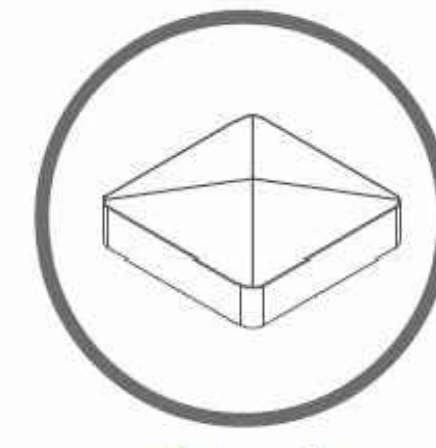


**ISLAND PERENNIAL PLANTING DETAIL**  
NOT TO SCALE

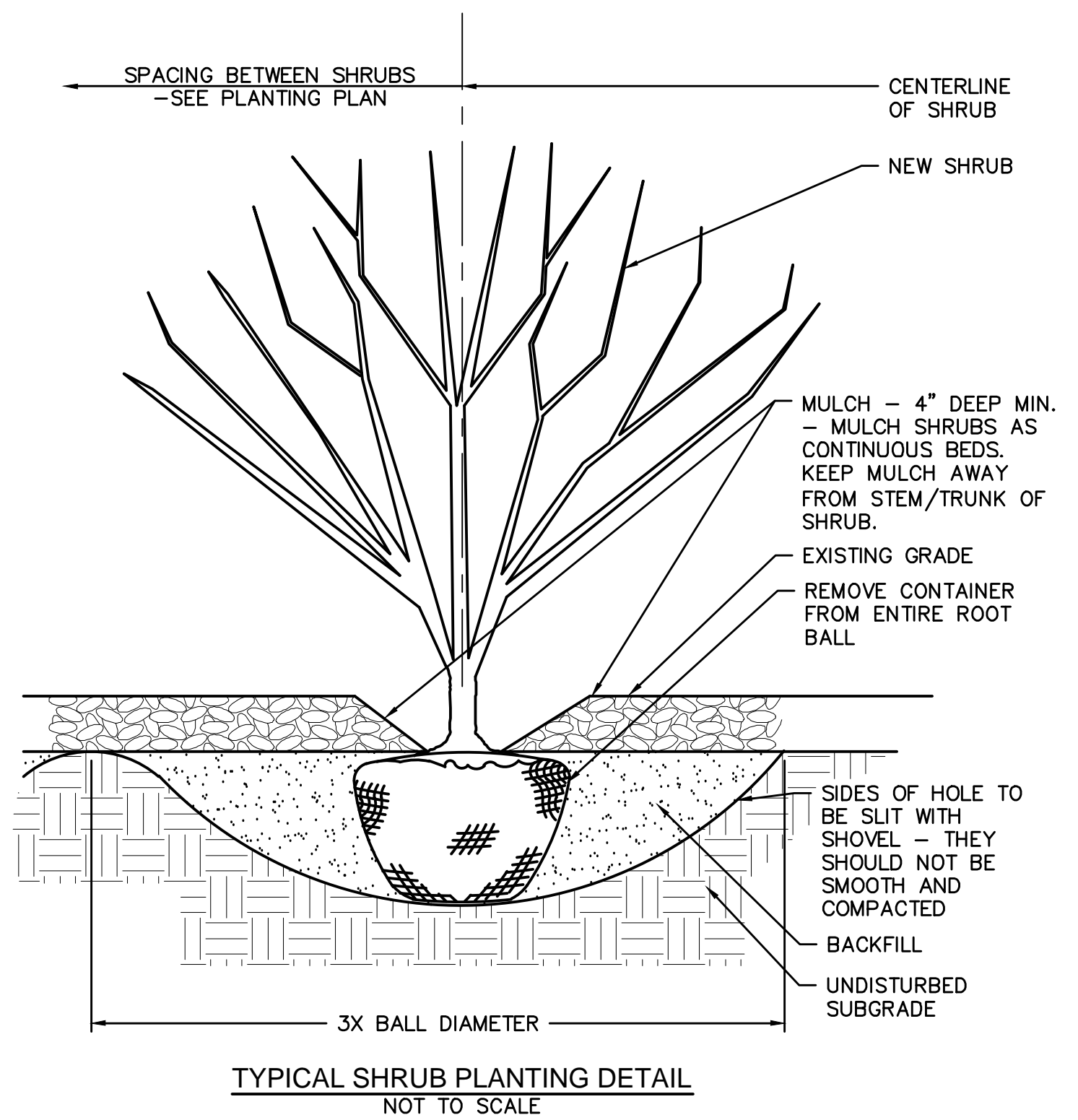


**TYPICAL FENCE POST DETAIL**  
NOT TO SCALE

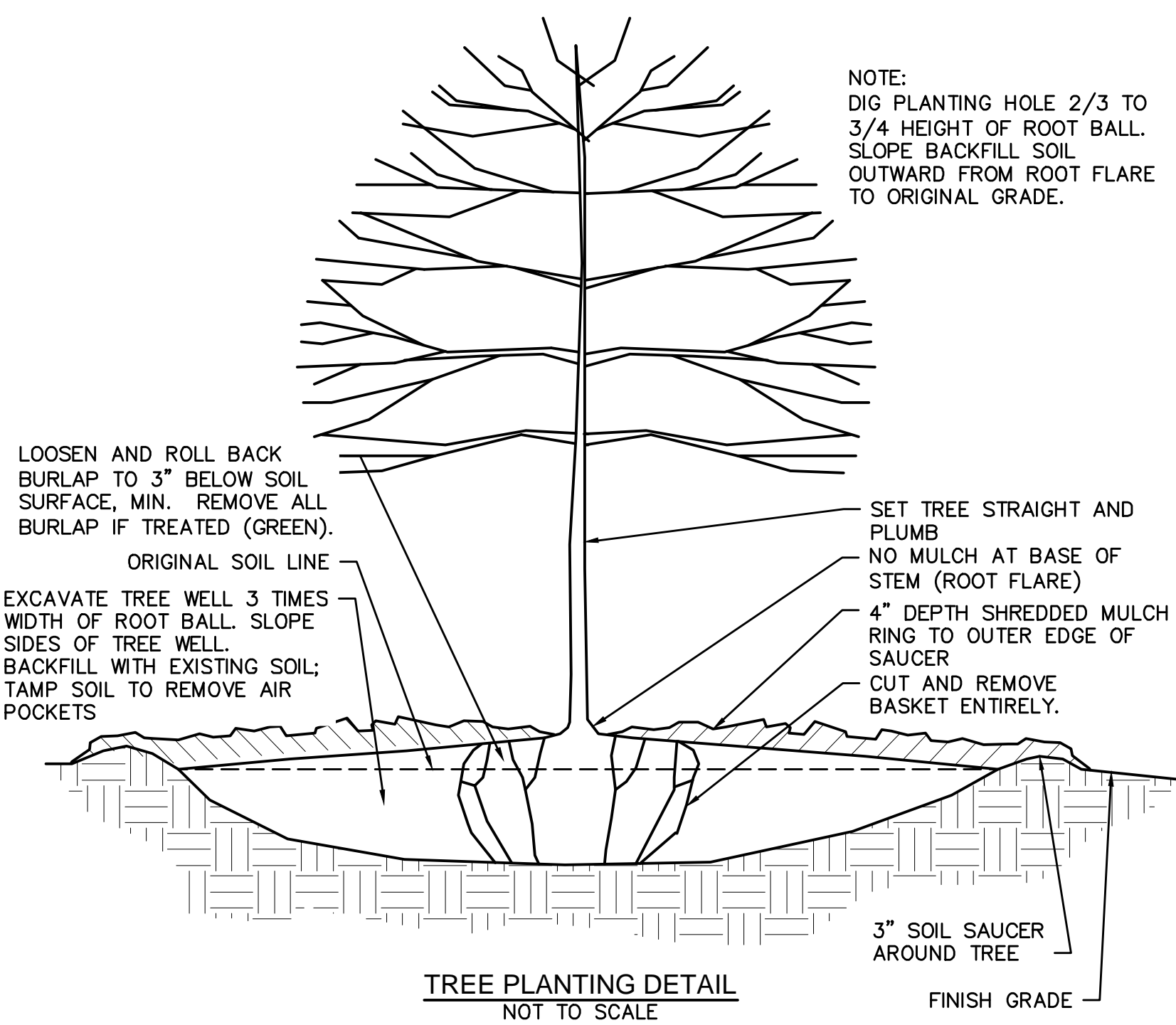
SOLID SCREEN FENCING TO BE "K328" BY AMERICAN FENCE COMPANY, (402) 467-2511, 6' TALL, COLOR SANDSTONE, WITH EXTERNAL POST CAPS. FENCING TO BE INSTALLED PER MANUFACTURER'S SPECIFICATIONS. SUBMIT SHOP DRAWINGS PRIOR TO CONSTRUCTION.



**6' TALL SCREEN FENCE DETAIL**  
NOT TO SCALE



**TYPICAL SHRUB PLANTING DETAIL**  
NOT TO SCALE



**TREE PLANTING DETAIL**  
NOT TO SCALE

## PROJECT CONSULTANTS

MECHANICAL ENGINEER  
ELECTRICAL ENGINEER  
CIVIL ENGINEER  
STRUCTURAL ENGINEER

825 M Street, Suite 200  
Lincoln, NE 68508  
T: 402.476.1273

1111 Lincoln Mall  
Lincoln, NE 68508  
T: 402.474.6311

1201 O Street, Suite 310  
Lincoln, NE 68508  
T: 402.477.7640

# LPS District Office

SINCLAIR hille architects  
Lincoln, NE 68508  
T: 402.476.7331 F: 402.476.8341

700 O St.  
LANDSCAPE DETAILS

SHA PROJECT NO. 11065

**L101**