



24 August 2012

MILITARY DEPARTMENT
STATE of NEBRASKA
LINCOLN, NEBRASKA

**NEBRASKA ARMY NATIONAL GUARD
CATS BUILDING 50 SUSTAINMENT PROJECT**

at the

**CAMP ASHLAND TRAINING SITE
220 Country Road A
Ashland, Nebraska 68003**

PROJECT NO. 31090227

A D D E N D U M N O . 2

The original specifications and drawings on the STATE OF NEBRASKA REQUEST for PROPOSAL FORM for the project noted above are amended as noted in this Addendum No. 2.

Receipt of this Addendum shall be acknowledged by inserting its number and date in the space provided on the Bid Form.

ADDENDUM NO. 2

NOTE TO ALL PLANHOLDERS: Please insert this Addendum into your copy of the Contract Documents for the above named project.

The following changes to the Contract Documents are issued by the CFMO-CMB and shall have the same force and affect as though a part of the original issue.

THE RECEIPT DATE, TIME and LOCATION of the BID PROPOSAL submission HAS NOT CHANGED.

ITEM NO.

- ADD 2-1 Sheet A120, Detail A10 - Stage Plan, Sections & Details
A. (Base Bid). Revise area of new maple flooring to cover entire area of removed maple flooring in demolition plan and the new 12" extended stage floor. Revised detail is attached at the end of this addendum.
- ADD 2-2 Sheet A131, Detail C13 - New Dormer Plan, Sections & Details
A. Revise Sheet Note 4 to read "See A400 and K9/A131 for details on soffit work."
- ADD 2-3 Sheet A131, Detail F1 - New Dormer Plan, Sections & Details
A. Revise Detail "K10/A131" to read "K9/A131."

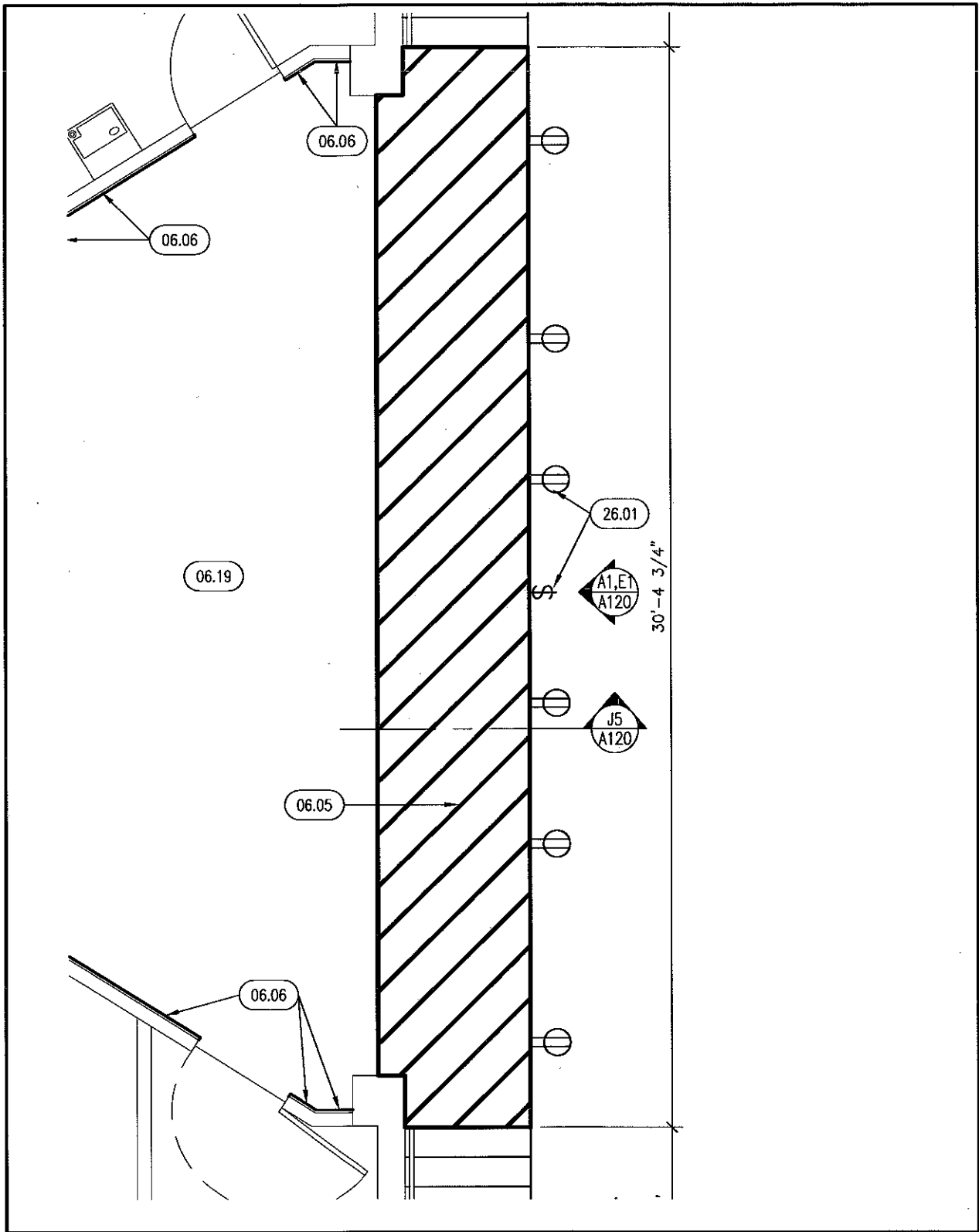
THIS ADDENDUM SHALL BE ATTACHED TO AND MADE A PART OF THE DRAWINGS AND SPECIFICATIONS AND SHALL BE ACKNOWLEDGED WITH THE BIDDER'S PROPOSAL.

Shawn D. Lyons
LUDD H. LYONS
MAJOR GENERAL The Adjutant General

End of Addendum No. 2



Attachment



STAGE FLOORING

SCALE: 1/4" = 1'-0"



Project Name:
**NEBRASKA ARMY NATIONAL GUARD
 CATS BLDG 50 SUSTAINMENT PROJECT
 CAMP ASHLAND TRAINING SITE**

Ref. Sht #
A10/A120

 AUGUST 2012