

ADDENDUM NO. 4

PROJECT NAME: Outdoor Adventure Center
UNL PROJECT NUMBER: C220P001

CONSULTANT: RDG Planning & Design
ADDRESS: 900 Farnam on the Mall, Suite 100, Omaha, NE 68102

DATE OF ISSUANCE: July 11, 2012
DATE OF BID OPENING: July 16, 2012

The bid documents dated June 1, 2012, for the above referenced project are amended by this addendum.

NOTICE: This Addendum is issued to all interested prospective bidders as an amendment to the project manual or other parts of the bidding (contract) documents for the above named project. Reference to this Addendum must be included in the Bid proposal. The information contained herein shall be fully incorporated into the contract documents as though originally included therein.

ADDENDA TO THE PROJECT MANUAL

Civil Specification Items

No Items this Addendum

Architectural Specification Items

4GS-1 Section 00 11 16 – Invitation to Bid, Page 2 of 2, ADD new Paragraph 8.0 as follows:

8.0 LIQUIDATED DAMAGES: The completion date required by the Owner is July 1, 2013. As completion date established by the Owner is critical, liquidated damages of two hundred and eighteen dollars (\$218.00) per calendar day has been established and shall be taken into consideration by the Bidder. This amount shall be subtracted from the Contract for Construction before final payment for each calendar day Work is not substantially complete as judged by the Owner and Architect.

4GS-2 Section 07 53 23 – Ethylene-Propylene-Diene-Monomer (EPDM Roofing), Page 07 53 23-5, Paragraph 2.6, Subparagraph C: DELETE Item 2 and all sub-items in their entirety.

4GS-3 Section 32 31 19 – Decorative Metal Fences and Gates, Page 32 31 19-3, Paragraph 2.2, Subparagraph A, Item 1: Revise "...2-Rail style for 4' tall fence..." to read "...2-Rail style for 5' tall fence..."

Structural Specification Items

4SS-1 Section 03 30 00 – Cast-In-Place Concrete, Page 03 30 00-4, Paragraph 2.5: DELETE Subparagraph B and Item 1 in their entirety. REPLACE with the following:

B. Sheet Vapor Retarder: ASTM E1745, Class A, not less than 15 mils thick, and with a permeance of less than 0.01 perms [grains/(ft² · hr · inHg)] as tested before and after mandatory conditioning (ASTM E 1745 Section 7.1 and Subparagraphs 7.1.1 - 7.1.5). Include manufacturer's recommended adhesive or pressure sensitive tape.

Mechanical Specification Items

4MS-1 Section 23 05 93 – Testing, Adjusting, and Balancing for HVAC, Page 23 05 93-1: Under the section title, ADD the following:

(This is reference information. This work is to be done by UNL BSM and is not part of the Contractor's responsibility.)

4MS-2 Section 23 07 13 – Duct Insulation, Page 23 07 13-9, Paragraph 3.06:

A. Subparagraph N: DELETE Item 1.

B. Subparagraph P: DELETE Item 1 and SUBSTITUTE the following:

1. Mineral-Fiber Blanket: 3 inches thick and 0.75-lb/cu. ft. nominal density.

4MS-3 Section 23 07 19 – HVAC Piping Insulation, Page 23 07 19-9, Paragraph 3.05, Subparagraph B, Item 1: DELETE Sub-Item a.

4MS-4 Section 23 09 93 – Sequence of Operations for HVAC Controls, Page 23 09 93-1: Under the section title, ADD the following:

(This is reference information. This work is to be done by UNL BSM and is not part of the Contractor's responsibility.)

4MS-5 Section 23 33 00 – Air Duct Accessories, Page 23 33 00-5: DELETE Paragraph 2.08 in its entirety.

4MS-6 Section 23 36 00 – Air Terminal Units, Page 23 36 00-3, Paragraph 2.04, Subparagraph F: DELETE Item 2 and SUBSTITUTE the following:

2. See drawings for capacities.

4MS-7 Section 23 73 13 – Modular Central-Station Air-Handling Units:

A. Page 23 73 13-3:

1. Paragraph 2.02: DELETE Subparagraphs G, H, and I.

2. Paragraph 2.04, Subparagraph A: ADD the following:

A ... Fully thermally broke.

B. Page 23 73 13-4, Paragraph 2.04:

1. DELETE Subparagraph H and SUBSTITUTE the following:

H. Maximum Leakage Rate: 1% of unit full flow rate.

2. DELETE Subparagraph I and SUBSTITUTE the following:

I. Strength: Provide structure to brace casing for suction pressure of 8 inch wg, with maximum deflection of L/240.

C. Page 23 73 13-6:

1. Paragraph 2.06:

a. DELETE Subparagraph N.

b. DELETE Subparagraph R and SUBSTITUTE the following:

R. Provide automatic backdraft dampers on the outlet of each fan.

2. Paragraph 2.07: DELETE Subparagraphs A, B, and C and SUBSTITUTE the following:

A. This work is to be done by UNL BSM.

3. Paragraph 2.08: DELETE Subparagraphs A and B and SUBSTITUTE the following:

A. This work is to be done by UNL BSM.

4. ADD Paragraph 2.09 as follows (previously DELETED by Addendum 3):

2.09. FAN ARRAY VARIABLE FREQUENCY CONTROL

A. Furnished by UNL BSM and installed by Contractor.

- D. Page 23 73 13-7:

1. Paragraph 2.10: DELETE Subparagraphs A through C and SUBSTITUTE the following:

A. This work is to be done by UNL BSM.

2. DELETE Paragraph 2.12 in its entirety.

4MS-8 Section 23 82 16 – Air Coils

- A. Page 23 82 16-2:

1. Paragraph 2.01: ADD Subparagraphs H, I, J, and K as follows:

H. Air Enterprises.

I. Alliance Air.

J. TMI.

K. Trane Custom.

2. Paragraph 2.02:

- a. Subparagraph A: ADD Items 8, 9, 10, and 11 as follows:

8. Air Enterprises.

9. Alliance Air.

10. TMI.

11. Trane Custom.

- b. Subparagraph D: REPLACE "galvanized" with "**304 stainless.**"

- c. Subparagraph E: DELETE in its entirety and SUBSTITUTE the following:

E. Headers: Seamless copper tube with silver brazed joints.

- d. Subparagraph H: REPLACE "14 fins per inch" with "**10 fins per inch.**"

- B. Page 23 82 16-3:

1. Paragraph 2.03:

- a. Subparagraph A: ADD Items 7, 8, 9, 10, and 11 as follows:

7. Temtrol.

8. Air Enterprises.

9. Alliance Air.

10. TMI.

11. Trane Custom.

- b. Subparagraph D: REPLACE "galvanized" with "**304 stainless.**"

- c. Subparagraph E: DELETE in its entirety and SUBSTITUTE the following:

E. Headers: Seamless copper tube with silver brazed joints.

- d. Subparagraph H: REPLACE "14 fins per inch" with "**10 fins per inch.**"

2. Paragraph 2.04:
 - a. Subparagraph A: ADD Items 7, 8, 9, 10, and 11 as follows:
 7. **Temtrol.**
 8. **Air Enterprises.**
 9. **Alliance Air.**
 10. **TMI.**
 11. **Trane Custom.**
 - b. Subparagraph D: REPLACE "galvanized" with **"304 Stainless."**
 - c. Subparagraph E: DELETE in its entirety and SUBSTITUTE the following:
 - E. **Headers: Seamless copper tube with silver brazed joints.**
 - d. Subparagraph H: REPLACE "14 fins per inch" with **"10 fins per inch."**

Electrical Specification Items

No Items this Addendum

ADDENDA TO THE DRAWINGS

Civil Drawing Items

4CD-1 Sheet C1.1 – SITE PLAN:

- A. Updated note locations and descriptions. See attached Supplemental Drawing SDC-006.
- B. Included handicapped sign detail. See attached Supplemental Drawing SDC-007.
- C. Included handicapped symbol detail. See attached Supplemental Drawing SDC-008.

Architectural Drawing Items

4GD-1 Sheet A1.01 – FIRST FLOOR PLAN: DETAIL 1: Revise per attached Supplemental Drawing SDA-019 and SDA-021.

4GD-2 Sheet A2.02 – ENLARGED PLANS, DETAIL 5: Revise per attached Supplemental Drawing SDA-022.

4GD-3 Sheet A9.04 – EXTERIOR DETAILS:

- A. Detail 10: DELETE note "DCMU SILL W/ DRIP" and REPLACE with **"CAST STONE SILL W/ DRIP – COLOR AND TEXTURE TO MATCH DCMU."**
- B. Detail 23: DELETE note "DCMU WALL CAP W/ DRIP" and REPLACE with **"CAST STONE WALL CAP W/ DRIP – COLOR AND TEXTURE TO MATCH DCMU."**

4GD-4 Sheet A10.01 – DOOR SCHEDULE, FRAME ELEVATIONS: At Doors 100a.1 and 2, and 100.1 and 2, ADD the following note right below the door schedule.

IN THE EVENT OF POWER FAILURE, THE DOORS OPEN MANUALLY TO ALLOW EGRESS TRAVEL, AND SHALL HAVE SIGNAGE THAT READS "IN EMERGENCY PUSH TO OPEN."

4GD-5 Sheet A13.01 – INTERIOR ELEVATIONS, DETAIL 6: Revise per attached Supplemental Drawing SDA-020.

4GD-6 Sheet A13.02 – INTERIOR ELEVATIONS, DETAILS 24, 29, and 30: Revise per attached Supplemental Drawing SDA-023.

Structural Drawing Items

No Items this Addendum

Mechanical Drawing Items

- 4MD-1 Sheet M1.1: Added and updated detail references. See attached Supplemental Drawings SDM-004 and SDM-005.
- 4MD-2 Sheet M2.1: Added and updated detail references. See attached Supplemental Drawing SDM-006.
- 4MD-3 Sheet M5.1: Deleted detail references and clarified the control valve note. See attached Supplemental Drawing SDM-007.
- 4MD-4 Sheet M5.2: See attached revised sheet.
- A. Updated label and detail reference in Detail 6.
 - B. Deleted Detail 10 and replaced it with Detail 12.
 - C. Revised Detail 11 in its entirety.
 - D. Deleted check valve and connection piping from Detail 13.
- 4MD-5 Sheet P1.0: Revised sanitary piping for current electric water cooler locations. See attached Supplemental Drawings SDM-008 and SDM-009.
- 4MD-6 Sheet P1.1: Revised water supply and vent piping for current electric water cooler locations. See attached Supplemental Drawings SDM-010 and SDM-011.

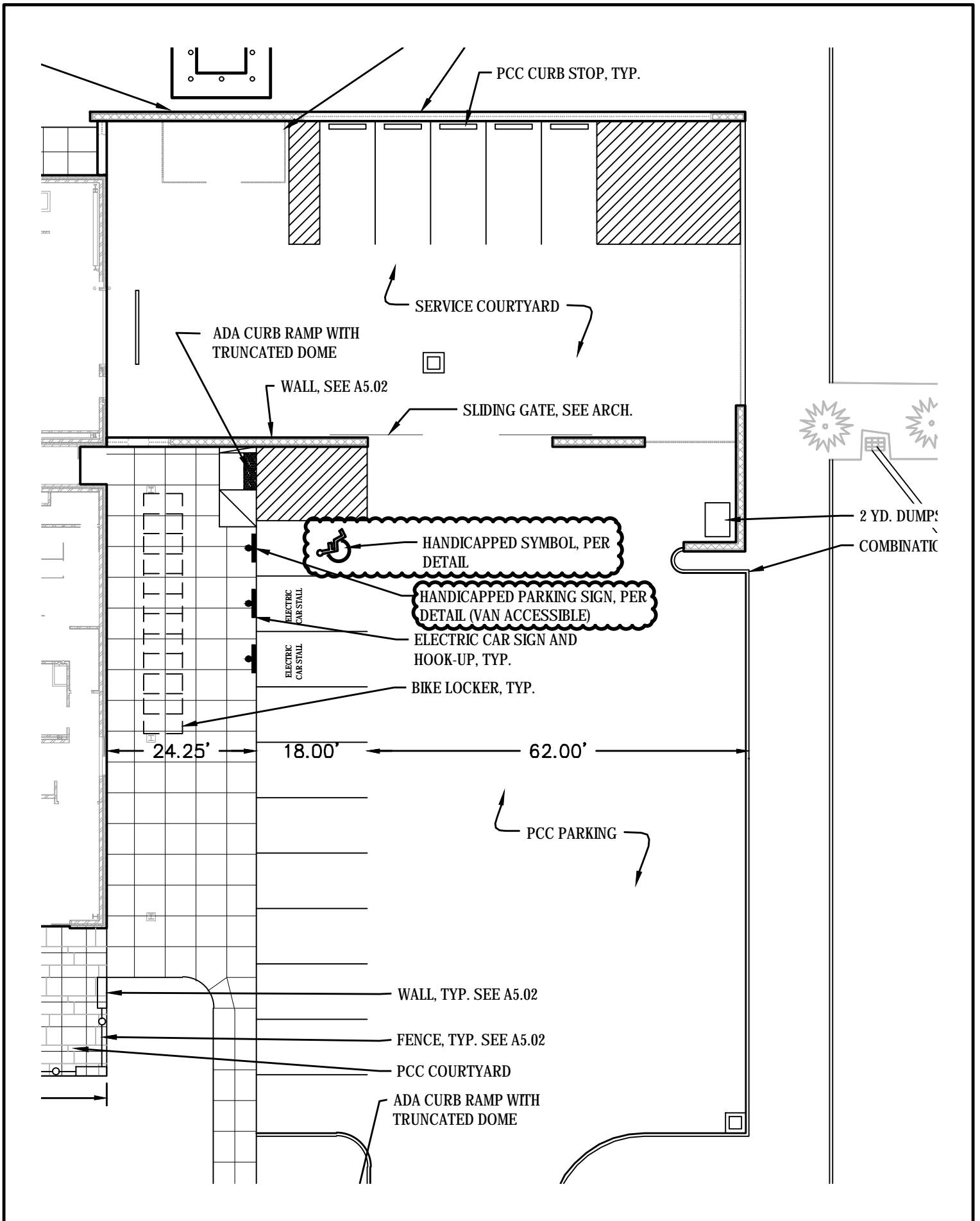
Electrical Drawing Items

- 4ED-1 Sheet E2.1:
- A. Clarified cable tray conduit size in corridor. See attached Supplemental Drawing SDE-008.
 - B. Modified receptacle location in Climbing Center. See attached Supplemental Drawing SDE-008.
 - C. Clarified circuit numbers for VFC-AHU-2A, VFC-AHU-2B, P-2, and AHU-2. See attached Supplemental Drawing SDE-008.
 - D. Modified receptacle locations for corridor drinking fountain. See attached Supplemental Drawing SDE-008.
- 4ED-2 Sheet E3.1: Clarified circuit numbers for VFC-AHU-1A, VFC-AHU-1B, P-1, and AHU-1. See attached Supplemental Drawing SDE-009.

END OF ADDENDUM NO. #4

Enclosure:

Supplemental Drawings SDC-006, SDC-007, and SDC-008
Supplemental Drawings SDA-019 through SDA-023
Supplemental Drawings SDM-004 through SDM-011
Supplemental Drawings SDE-008 and SDE-009
Revised Sheet M5.2



PROJECT NO: 011-2379

DRAWN BY: JLH

DATE: 07.10.12

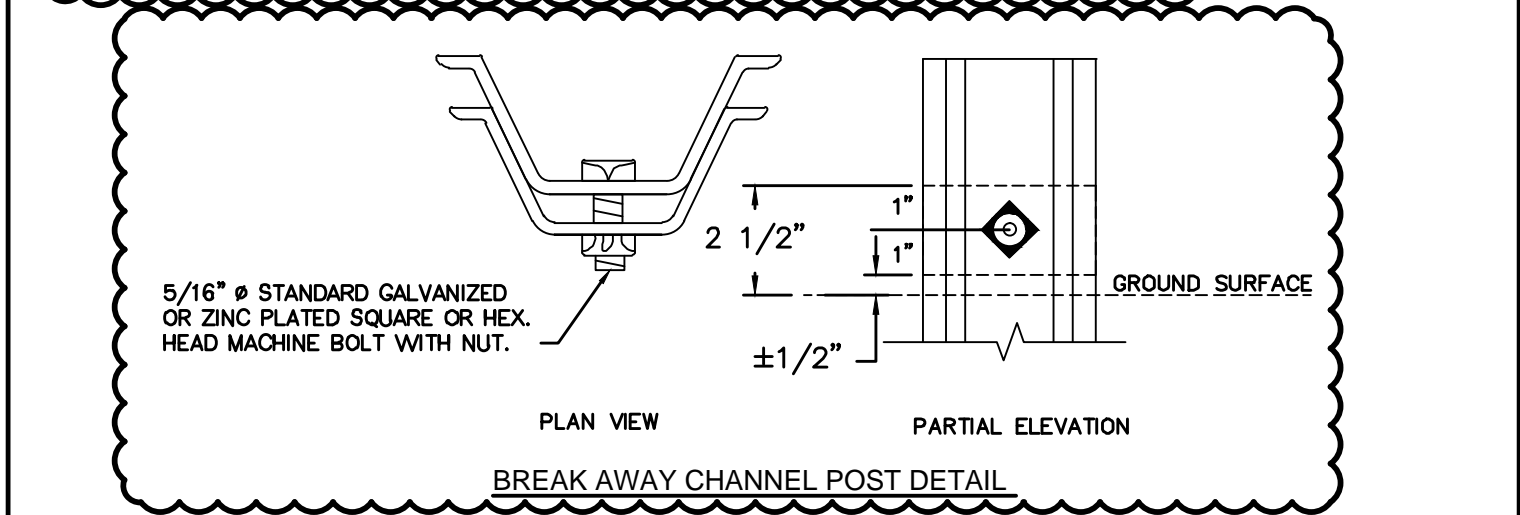
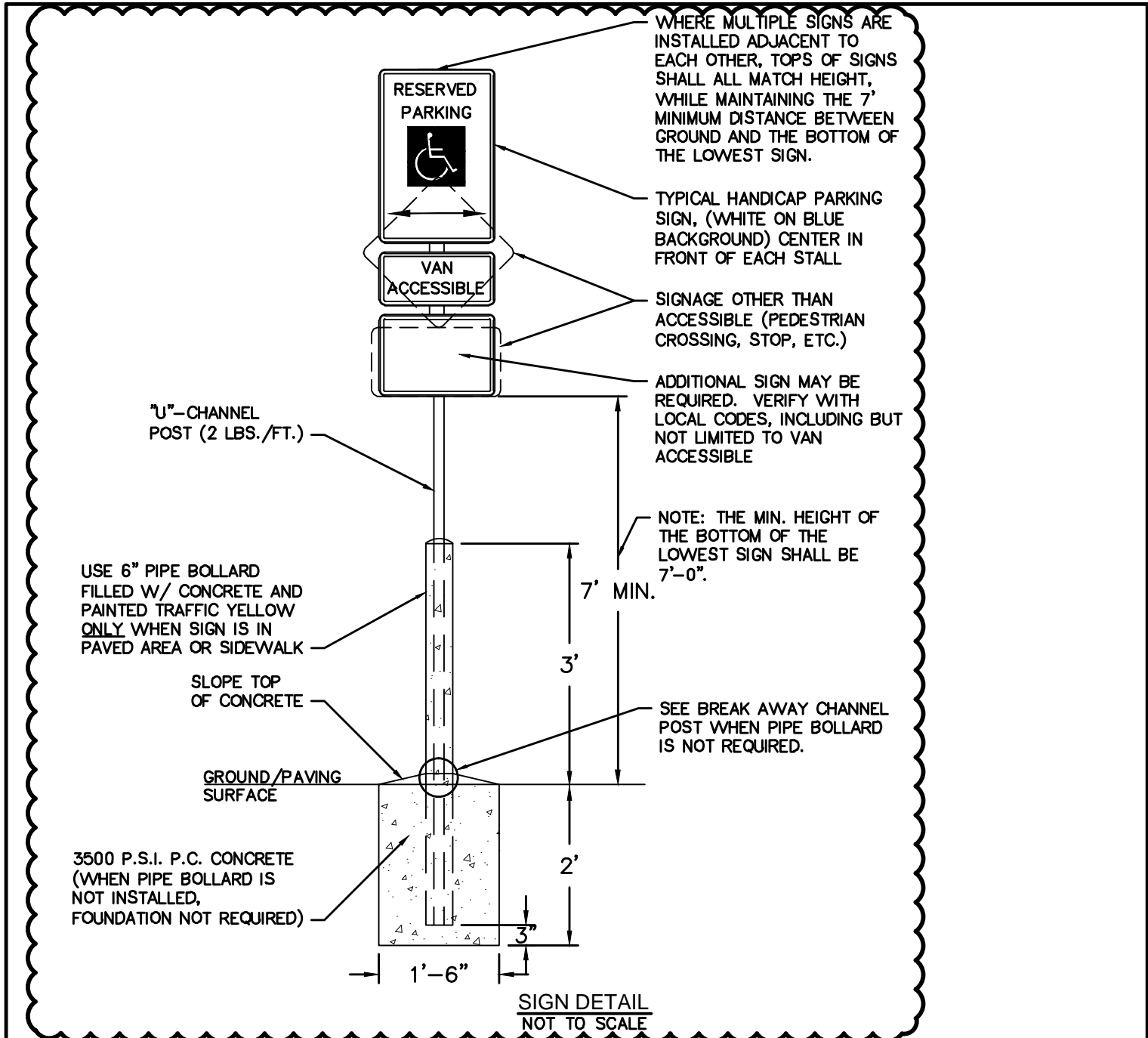
UNL OAC - ADDENDUM #4
SITE PLAN (C1.1)



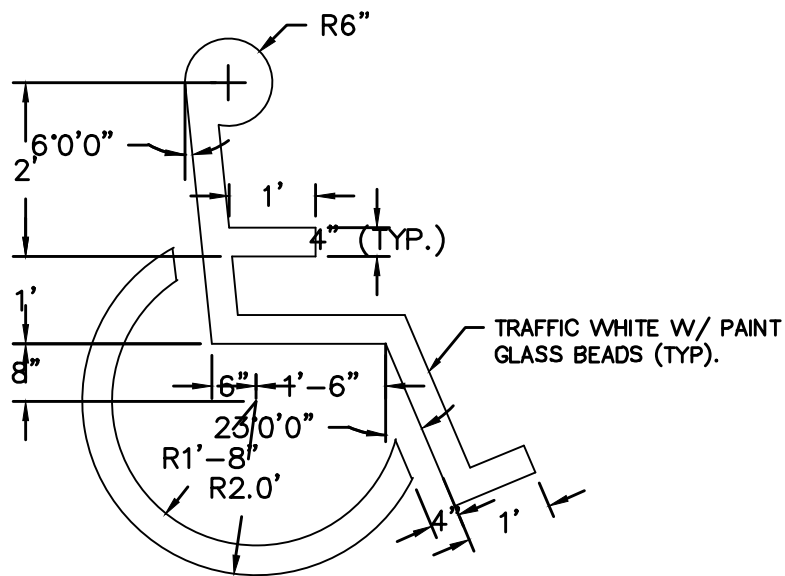
1111 Lincoln Mall, Suite 111
 P.O. Box 84608
 Lincoln, NE 68501-4608
 TEL 402.474.6311
 FAX 402.474.5160

EXHIBIT

SDC-006



PROJECT NO: 011-2379	UNL OAC - ADDENDUM #4 HANDICAPPED SIGN DETAIL		1111 Lincoln Mall, Suite 111 P.O. Box 84608 Lincoln, NE 68501-4608 TEL 402.474.6311 FAX 402.474.5160	EXHIBIT
DRAWN BY: JLH			SDC-007	
DATE: 07.10.12				



NOTE: SYMBOL TO BE CENTERED IN PARKING SPACE AND ORIENTED AS ILLUSTRATED ON PLANS.

HANDICAP PARKING PAVEMENT MARKING DETAIL
NOT TO SCALE

PROJECT NO: 011-2379

DRAWN BY: JLH

DATE: 07.10.12

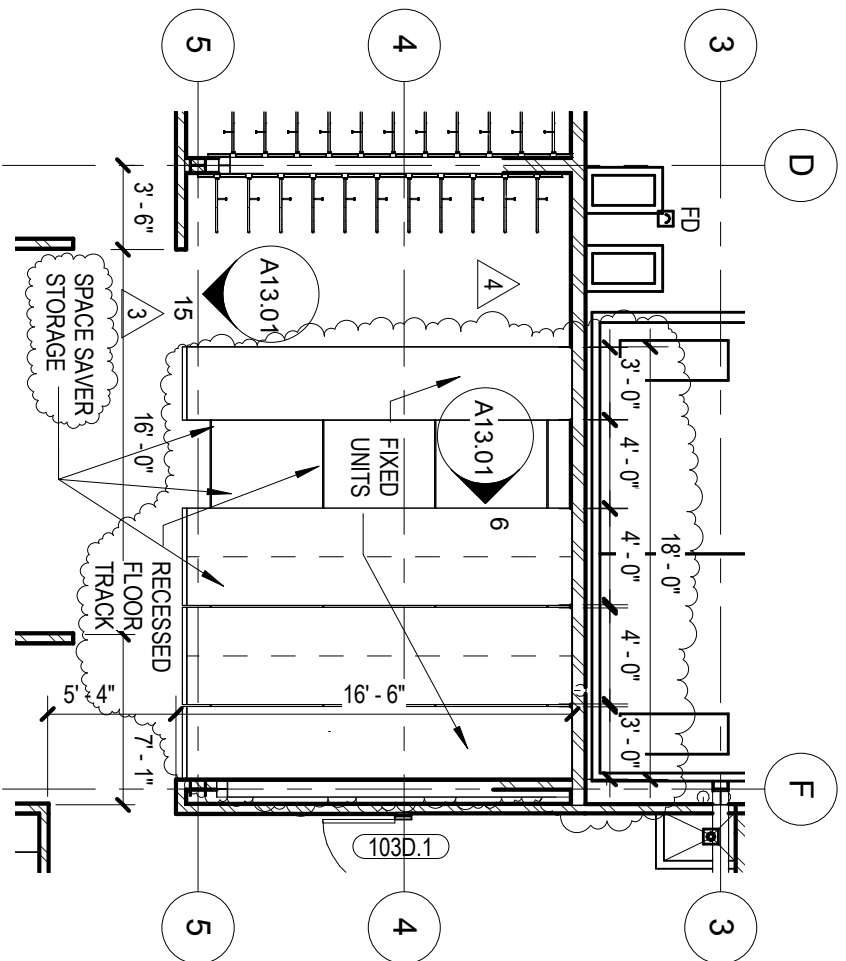
UNL OAC - ADDENDUM #4
HANDICAPPED SYMBOL DETAIL

MOLSSON
ASSOCIATES

1111 Lincoln Mall, Suite 111
P.O. Box 84608
Lincoln, NE 68501-4608
TEL 402.474.6311
FAX 402.474.5160

EXHIBIT

SDC-008



1 FIRST LEVEL FLOOR PLAN

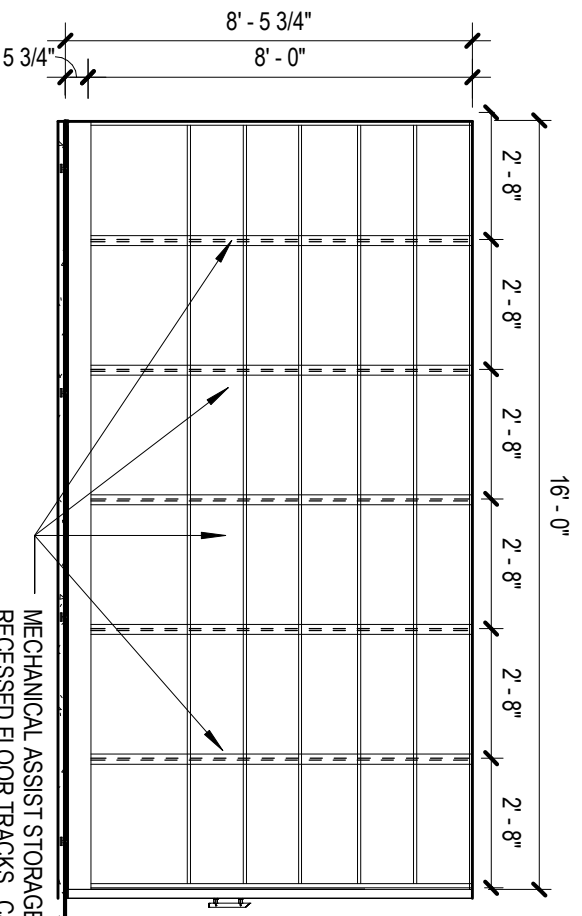
1/8" = 1'-0"



UNIVERSITY OF NEBRASKA-LINCOLN
 OUTDOOR ADVENTURES CENTER
 14th and W, Lincoln, NE

DATE: 07/10/12
 MODIFICATION: Addendum 4
 REFID SHEET: A1.01
 REFID DETAIL: 1

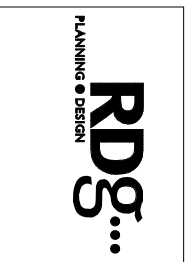
2011.182.00
 35.01
 SDA-019



MECHANICAL ASSIST STORAGE SYSTEM ON
 RECESSED FLOOR TRACKS, CANTILEVERED,
 VERTICALLY ADJUSTABLE SHELVES W/
 ADJUSTABLE HORIZONTAL DIVIDERS

6

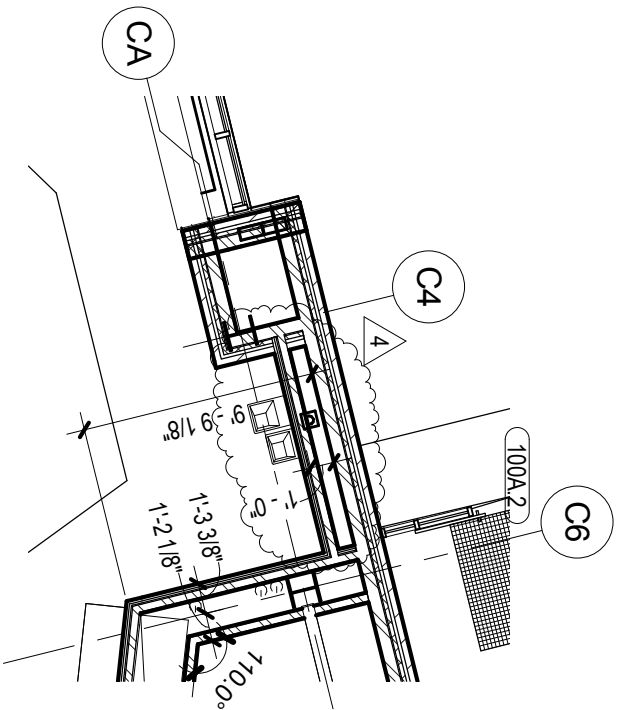
BIKE REPAIR AND MAINTENANCE - 101 - SMART STORAGE
 1/4" = 1'-0"



UNIVERSITY OF NEBRASKA-LINCOLN
 OUTDOOR ADVENTURES CENTER

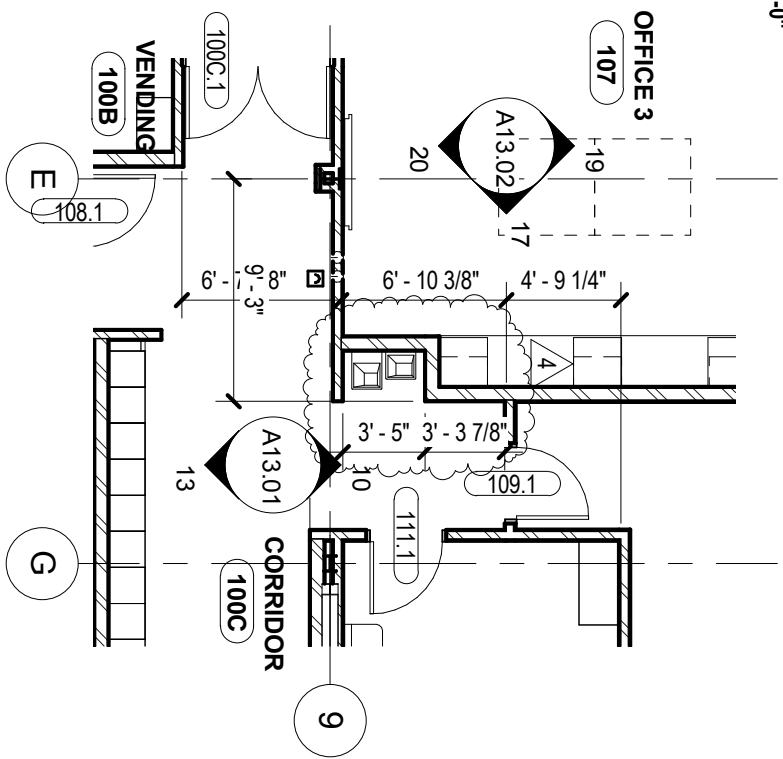
DATE: 07/10/12
 MODIFICATION: Addendum 4
 REFID SHEET: A13.01
 REFID DETAIL: 6

2011.182.00
 35.01
 SDA-020



1

FIRST LEVEL FLOOR PLAN
1/8" = 1'-0"



1

FIRST LEVEL FLOOR PLAN
1/8" = 1'-0"

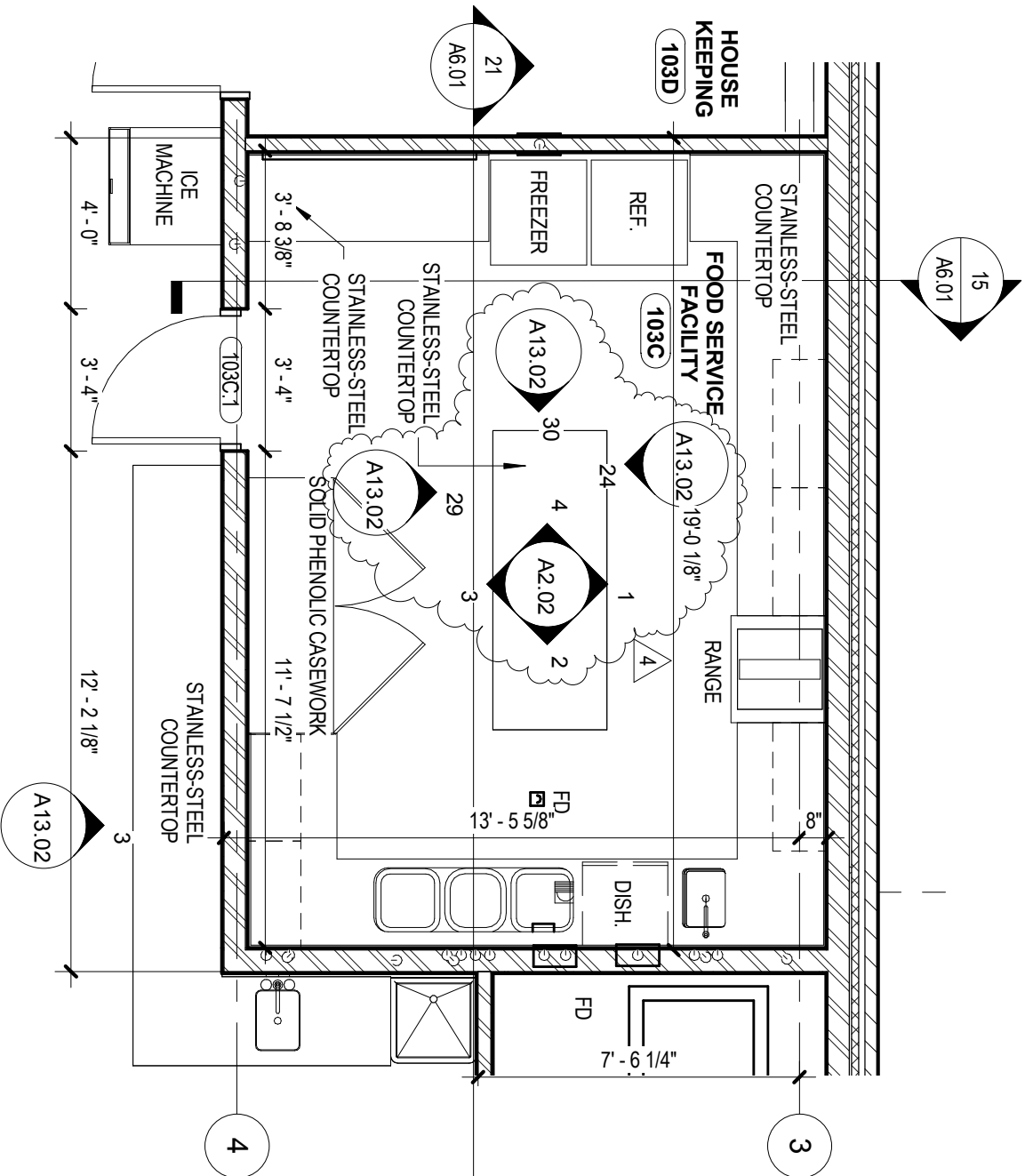


UNIVERSITY OF NEBRASKA-LINCOLN
OUTDOOR ADVENTURES CENTER

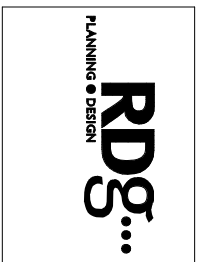
14th and W, Lincoln, NE

DATE: 07/10/12
MODIFICATION: Adeendum 4
REFD SHEET: A1.01
REFD DETAIL: 1

2011.182.00
35.01
SDA-021



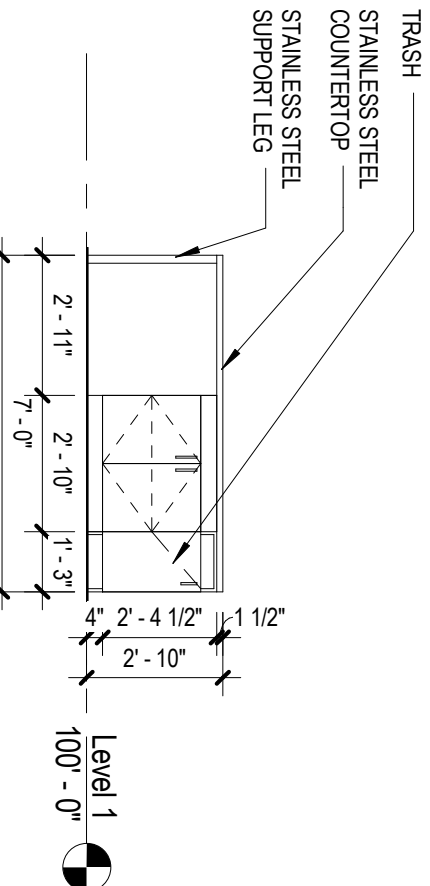
5 ENLARGED PLAN - FOOD SERVICE FACILITY 103C
 1/4" = 1'-0"



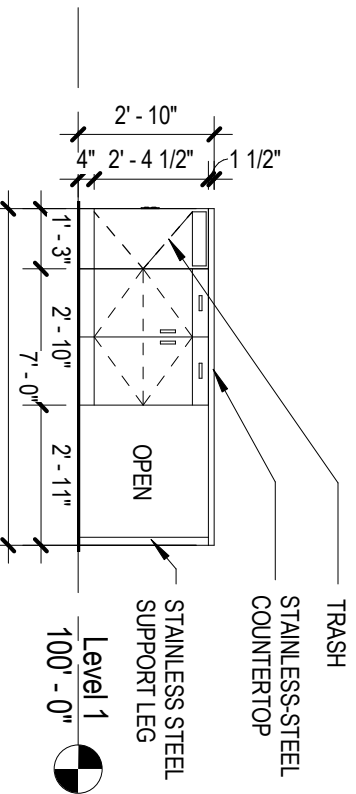
UNIVERSITY OF NEBRASKA-LINCOLN
 OUTDOOR ADVENTURES CENTER

DATE: 07/10/12
 MODIFICATION: Addendum 4
 REFID SHEET: A2.02
 REFID DETAIL: 5

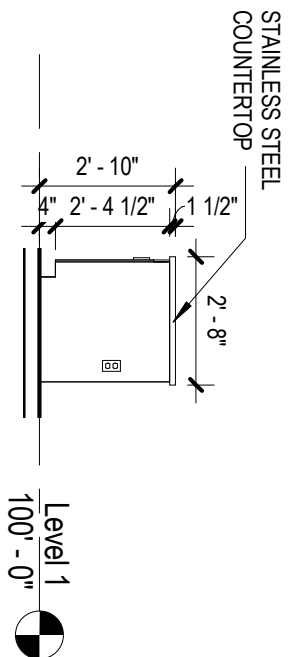
2011.182.00
 35.01
 SDA-022



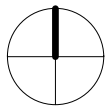
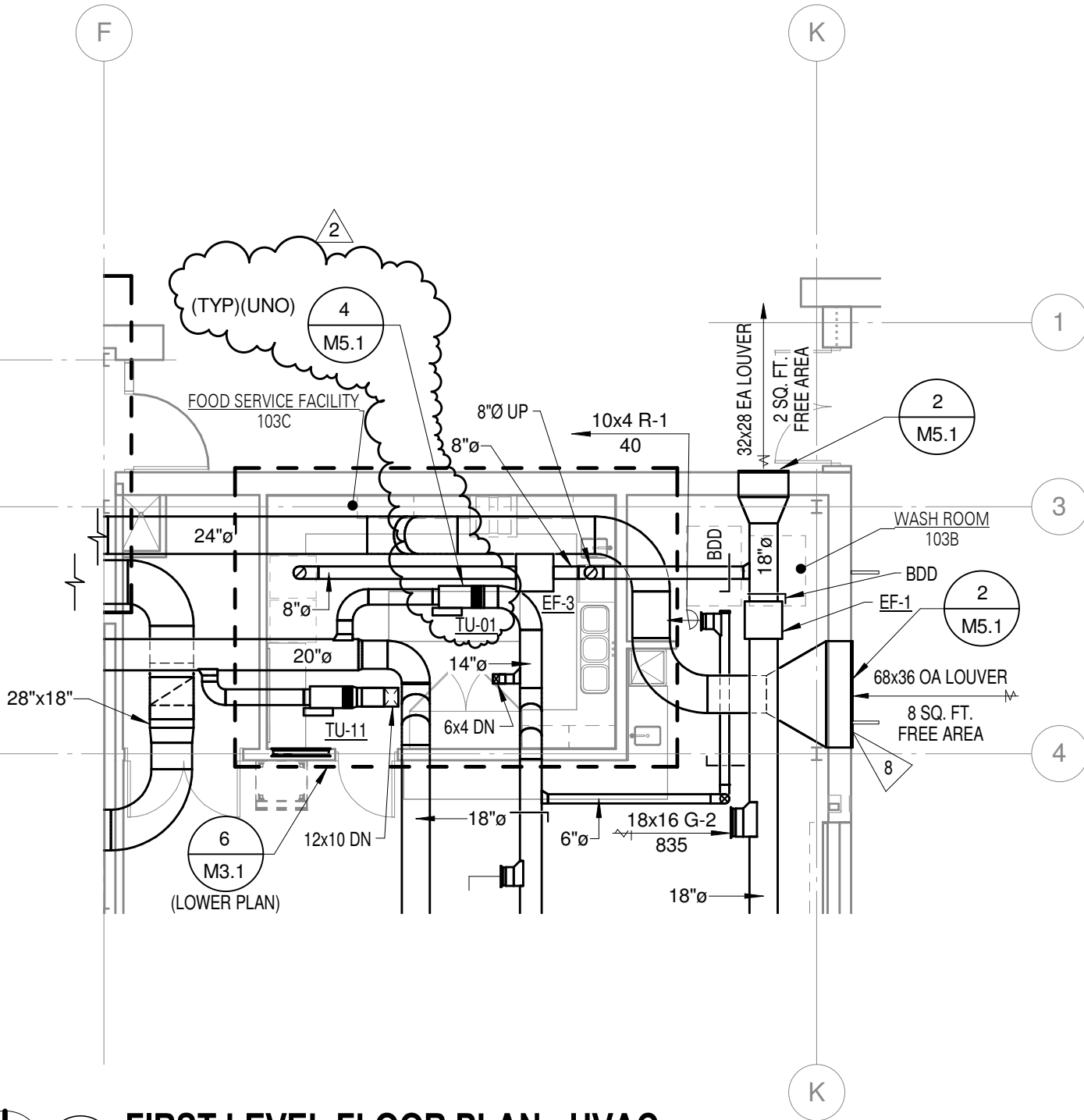
24
1/4" = 1'-0"
FOOD SERVICE FACILITY 103C - ISLAND - NORTH



29
1/4" = 1'-0"
FOOD SERVICE FACILITY 103C - ISLAND - SOUTH



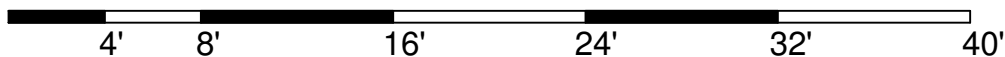
30
1/4" = 1'-0"
FOOD SERVICE FACILITY 103C - ISLAND - WEST



1

FIRST LEVEL FLOOR PLAN - HVAC

1/8" = 1'-0"

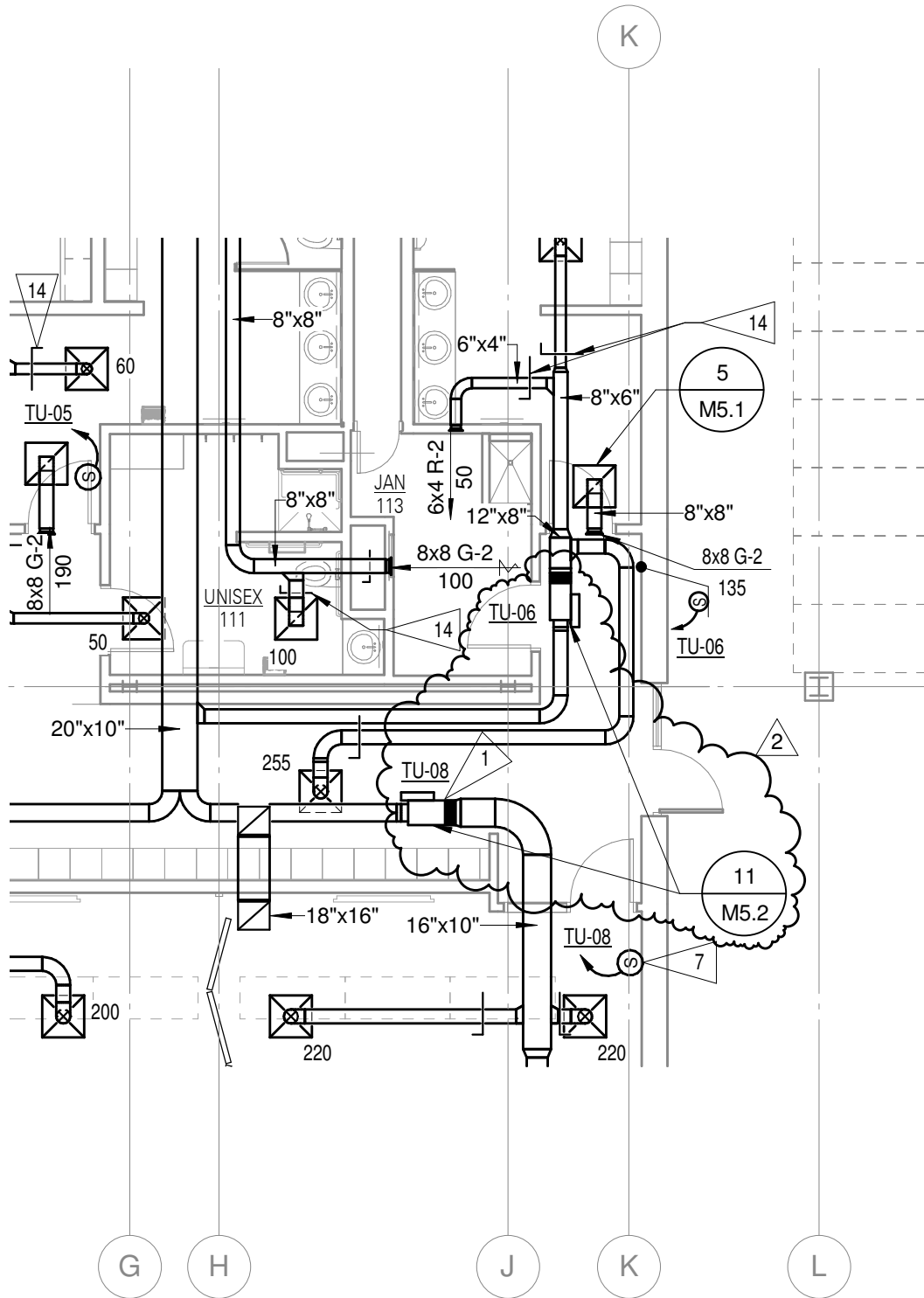


UNIVERSITY OF NEBRASKA-LINCOLN OUTDOOR
ADVENTURES CENTER

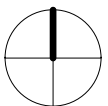
14th and W, Lincoln, NE

DATE 07/11/12
 MODIFICATION: ADDENDUM 4
 REF'D SHEET: M1.1
 REF'D DETAIL: 1

2011.182.00
 35.01
 SDM-004



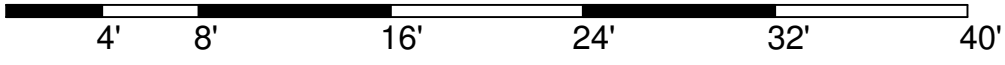
9



1

FIRST LEVEL FLOOR PLAN - HVAC

1/8" = 1'-0"

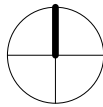
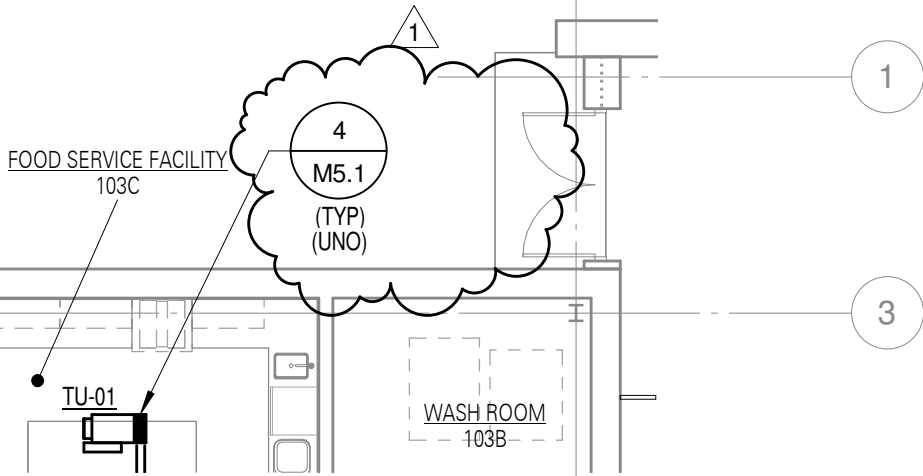


UNIVERSITY OF NEBRASKA-LINCOLN OUTDOOR
ADVENTURES CENTER

14th and W, Lincoln, NE

DATE 07/11/12
MODIFICATION: ADDENDUM 4
REF'D SHEET: M1.1
REF'D DETAIL: 1

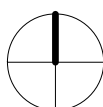
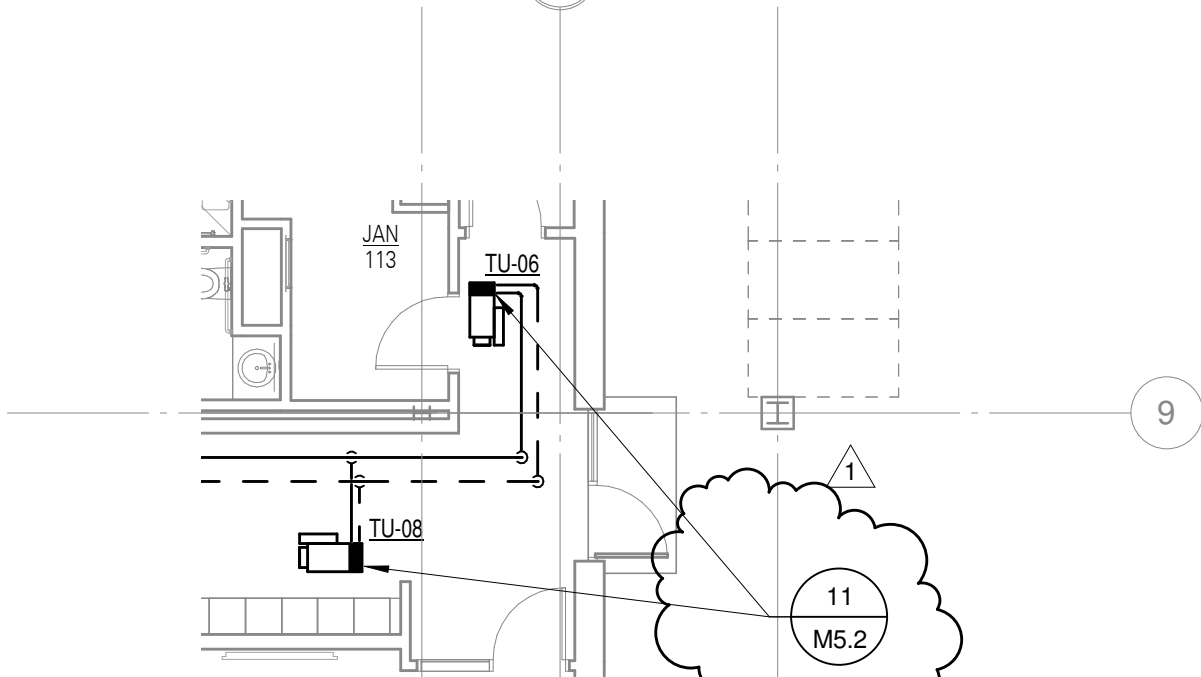
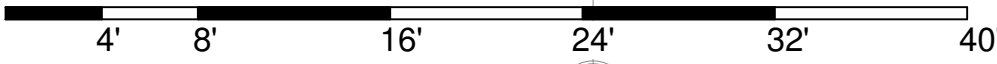
2011.182.00
35.01
SDM-005



1

FIRST LEVEL FLOOR PLAN - PIPING

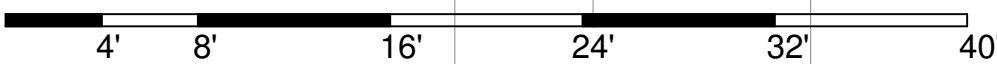
1/8" = 1'-0"



2

FIRST LEVEL FLOOR PLAN - PIPING

1/8" = 1'-0"



UNIVERSITY OF NEBRASKA-LINCOLN OUTDOOR
ADVENTURES CENTER

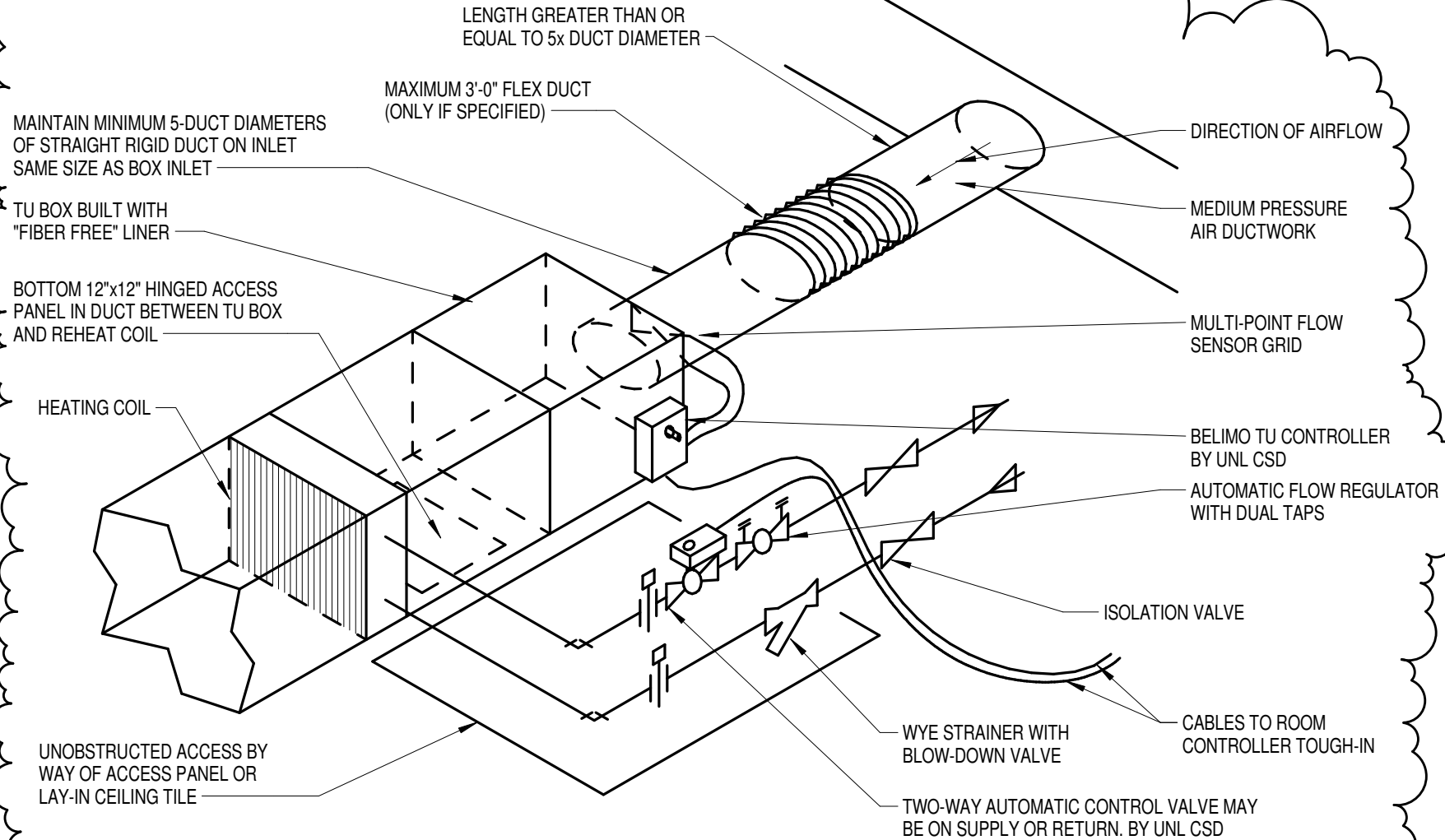
14th and W, Lincoln, NE

DATE 07/11/12
MODIFICATION: ADDENDUM 4
REF'D SHEET: M2.1
REF'D DETAIL: 1

2011.182.00
35.01
SDM-006

NOTE: ALL MATERIAL SHOWN "BY UNL CSD" TO BE FURNISHED BY UNL CSD, INSTALLED BY CONTRACTOR.

2011.182.00
35.01
SDM-007

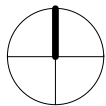
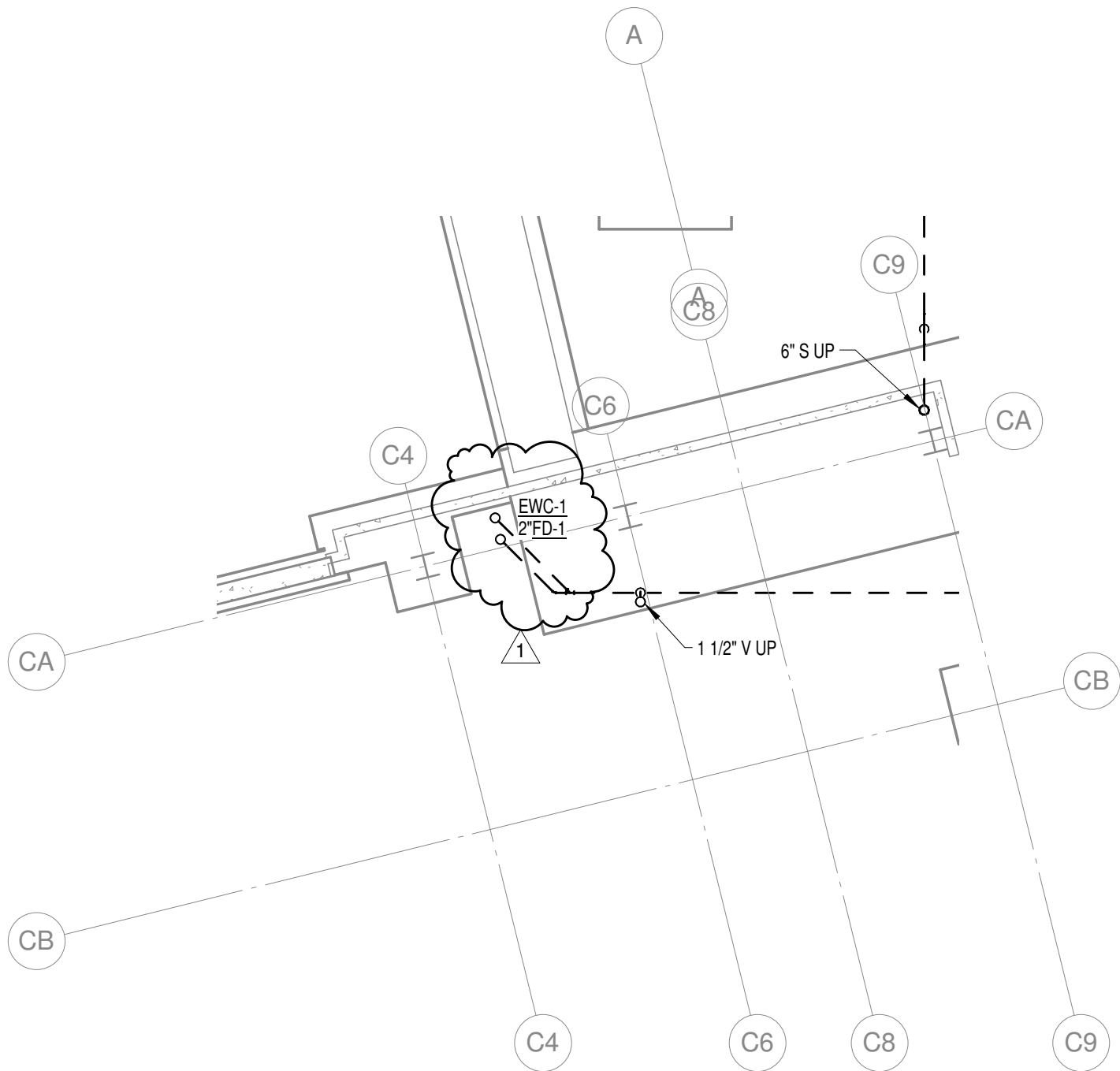


DATE: 07/11/12
MODIFICATION: ADDENDUM 4
REFD SHEET: M/5.1
REFD DETAIL: 4

UNIVERSITY OF NEBRASKA-LINCOLN OUTDOOR ADVENTURES CENTER
14th and W, Lincoln, NE

4 TERMINAL UNIT INSTALLATION DETAIL (2-WAY)
NO SCALE

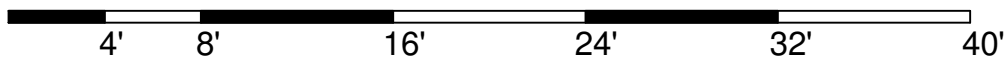




1

UNDERFLOOR PLUMBING PLAN

1/8" = 1'-0"

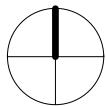
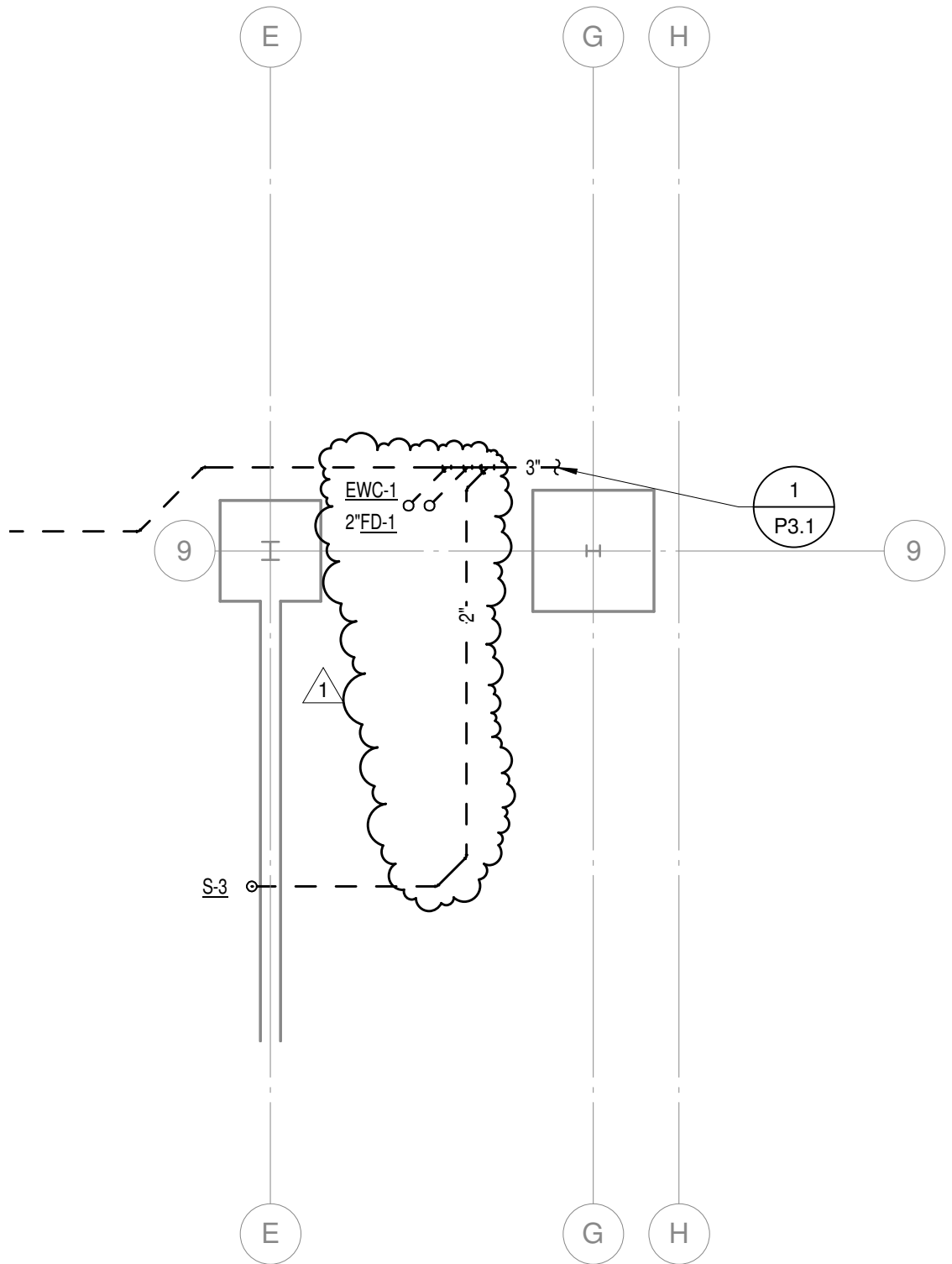


UNIVERSITY OF NEBRASKA-LINCOLN OUTDOOR
ADVENTURES CENTER

14th and W, Lincoln, NE

DATE 07/11/12
 MODIFICATION: ADDENDUM 4
 REF'D SHEET: P1.0
 REF'D DETAIL: 1

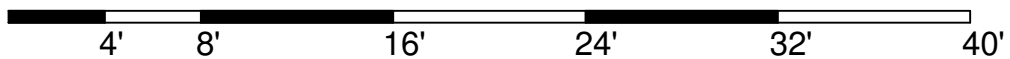
2011.182.00
 35.01
 SDM-008



1

UNDERFLOOR PLUMBING PLAN

1/8" = 1'-0"

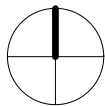
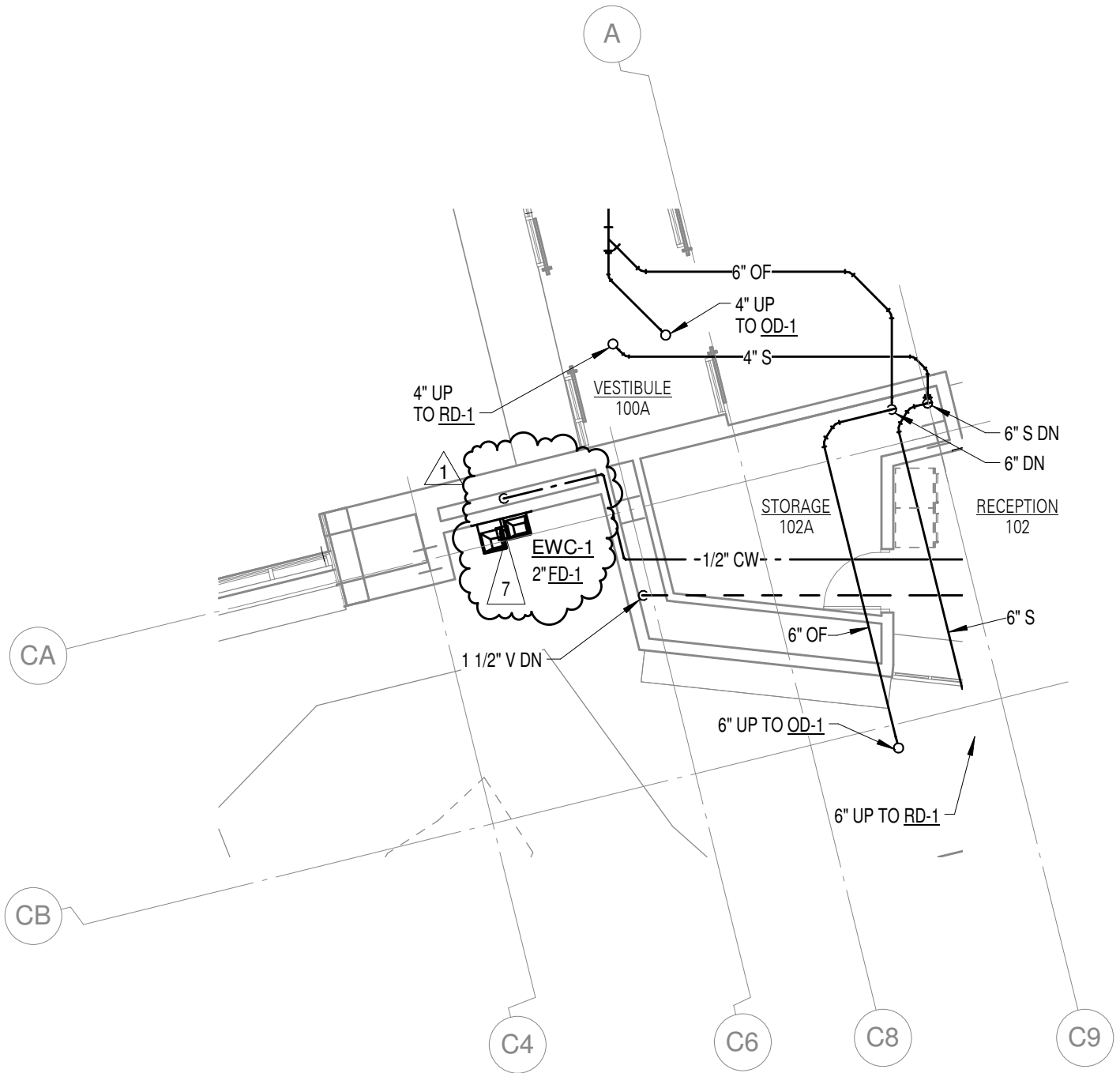


UNIVERSITY OF NEBRASKA-LINCOLN OUTDOOR
ADVENTURES CENTER

14th and W, Lincoln, NE

DATE 07/11/12
MODIFICATION: ADDENDUM 4
REF'D SHEET: P1.0
REF'D DETAIL: 1

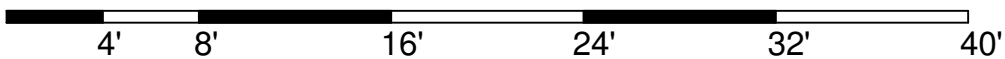
2011.182.00
35.01
SDM-009



1

FIRST LEVEL FLOOR PLAN - PLUMBING

1/8" = 1'-0"



UNIVERSITY OF NEBRASKA-LINCOLN OUTDOOR
ADVENTURES CENTER

14th and W, Lincoln, NE

DATE

07/11/12

MODIFICATION:

ADDENDUM 4

REF'D SHEET:

P1.1

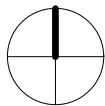
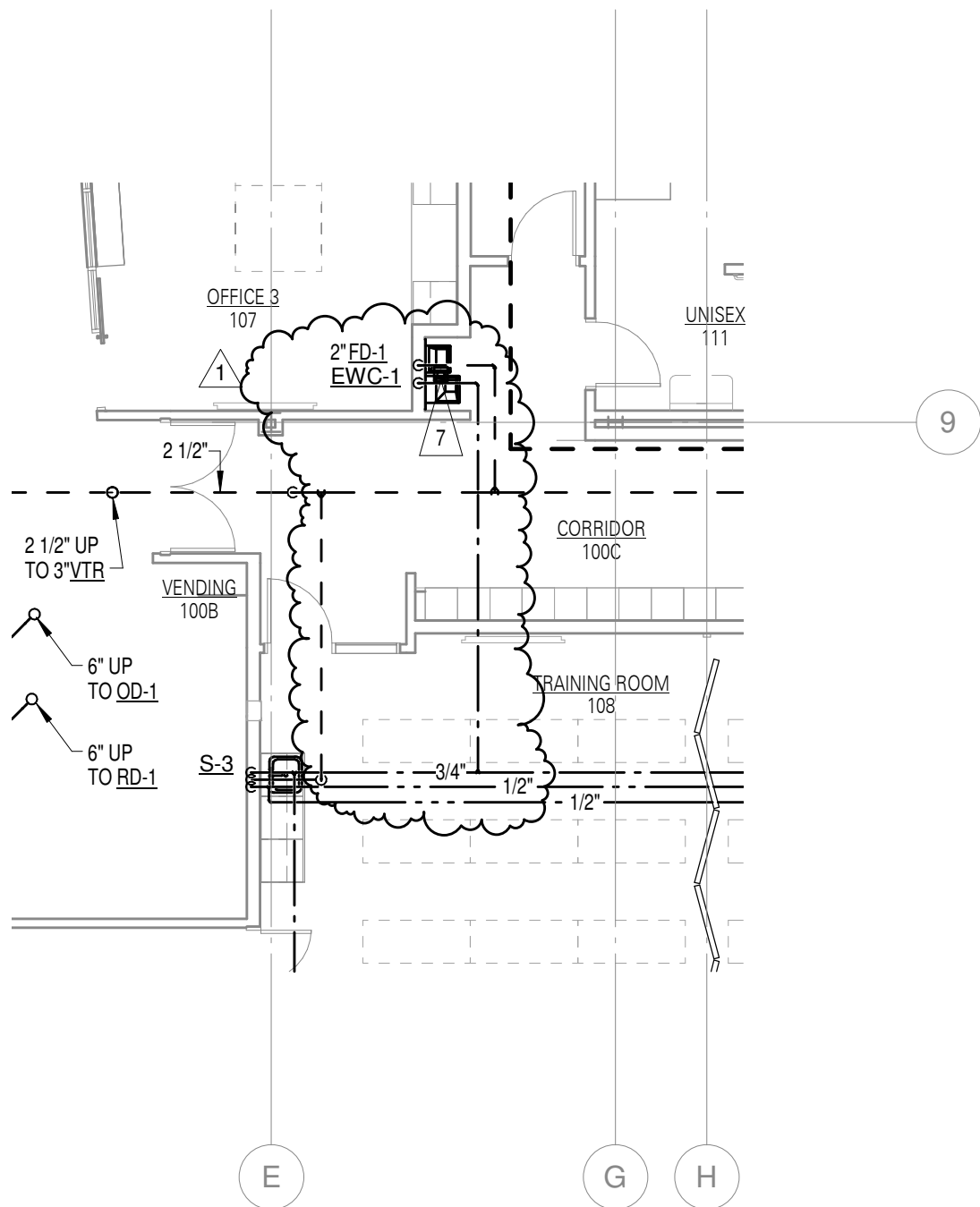
REF'D DETAIL:

1

2011.182.00

35.01

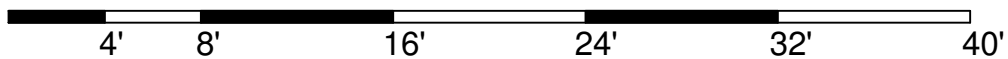
SDM-010



1

FIRST LEVEL FLOOR PLAN - PLUMBING

1/8" = 1'-0"

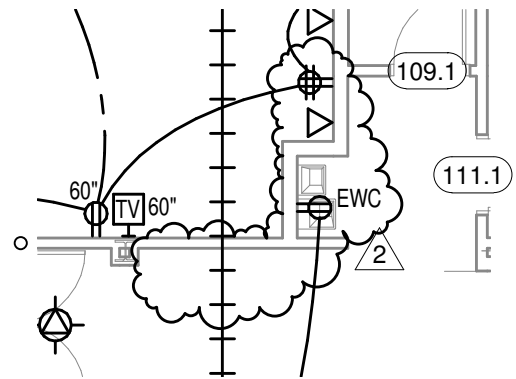
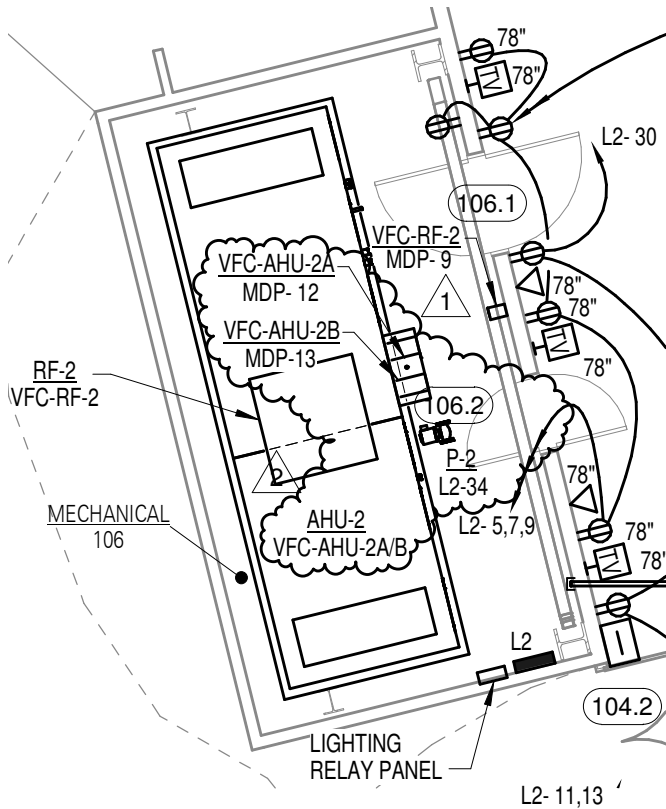
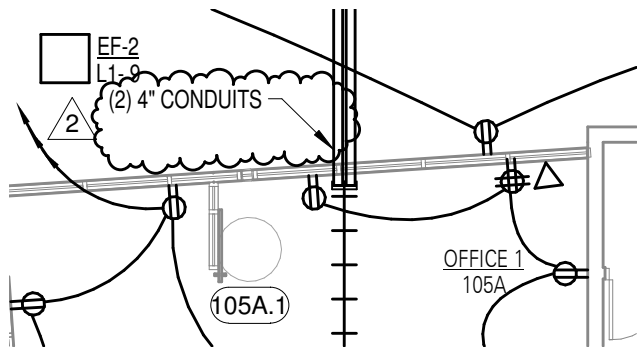


UNIVERSITY OF NEBRASKA-LINCOLN OUTDOOR
ADVENTURES CENTER

14th and W, Lincoln, NE

DATE 07/11/12
 MODIFICATION: ADDENDUM 4
 REF'D SHEET: P1.1
 REF'D DETAIL: 1

2011.182.00
 35.01
 SDM-011



1

FIRST LEVEL FLOOR PLAN-POWER

1/8" = 1'-0"

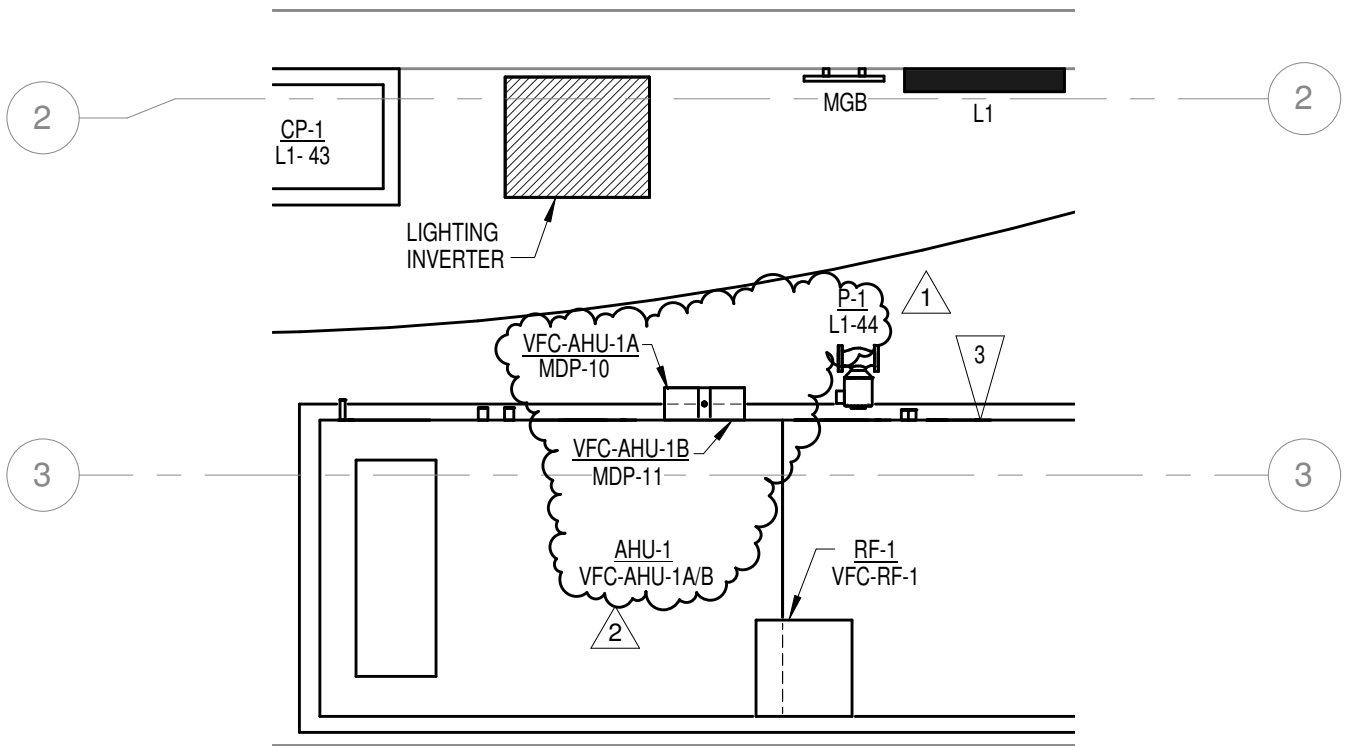


UNIVERSITY OF NEBRASKA-LINCOLN OUTDOOR
ADVENTURES CENTER

14th and W, Lincoln, NE

DATE 07/11/12
MODIFICATION: ADDENDUM NO. 4
REF'D SHEET: E2.1
REF'D DETAIL: -

2011.182.00
35.01
SDE-008



1 ENLARGED FLOOR PLAN-MECHANICAL ROOM
 1/4" = 1'-0"



UNIVERSITY OF NEBRASKA-LINCOLN OUTDOOR
 ADVENTURES CENTER
 14th and W, Lincoln, NE

DATE 07/11/12
 ADDENDUM NO. 4
 MODIFICATION: E3.1
 REF'D SHEET:
 REF'D DETAIL: 1

2011.182.00
 35.01
 SDE-009

