



ARCHITECTURE • ENGINEERING • INTERIOR DESIGN

## ADDENDUM

**PROJECT:** University of South Dakota  
Old Main Building, Building Re-roof  
Vermillion, South Dakota

### ADDENDUM NUMBER

AD-1

### ISSUED BY:

Matt Metcalf, Architect

**PROJECT #:** 12-0028

**DATE ISSUED:** Tuesday, May 8, 2012

*This addendum is issued by the Architect to all known bidders before receipt of proposals, for the purpose of explaining, interpreting, or modifying the original plans and specifications. When enumerated by the bidder upon the proposal sheet, the information or instructions given hereon will be equally binding upon all parties as if included in the original plans and specifications.*

**BIDDER MUST ENTER THE NUMBER OF THIS ADDENDUM ON HIS PROPOSAL SHEET**

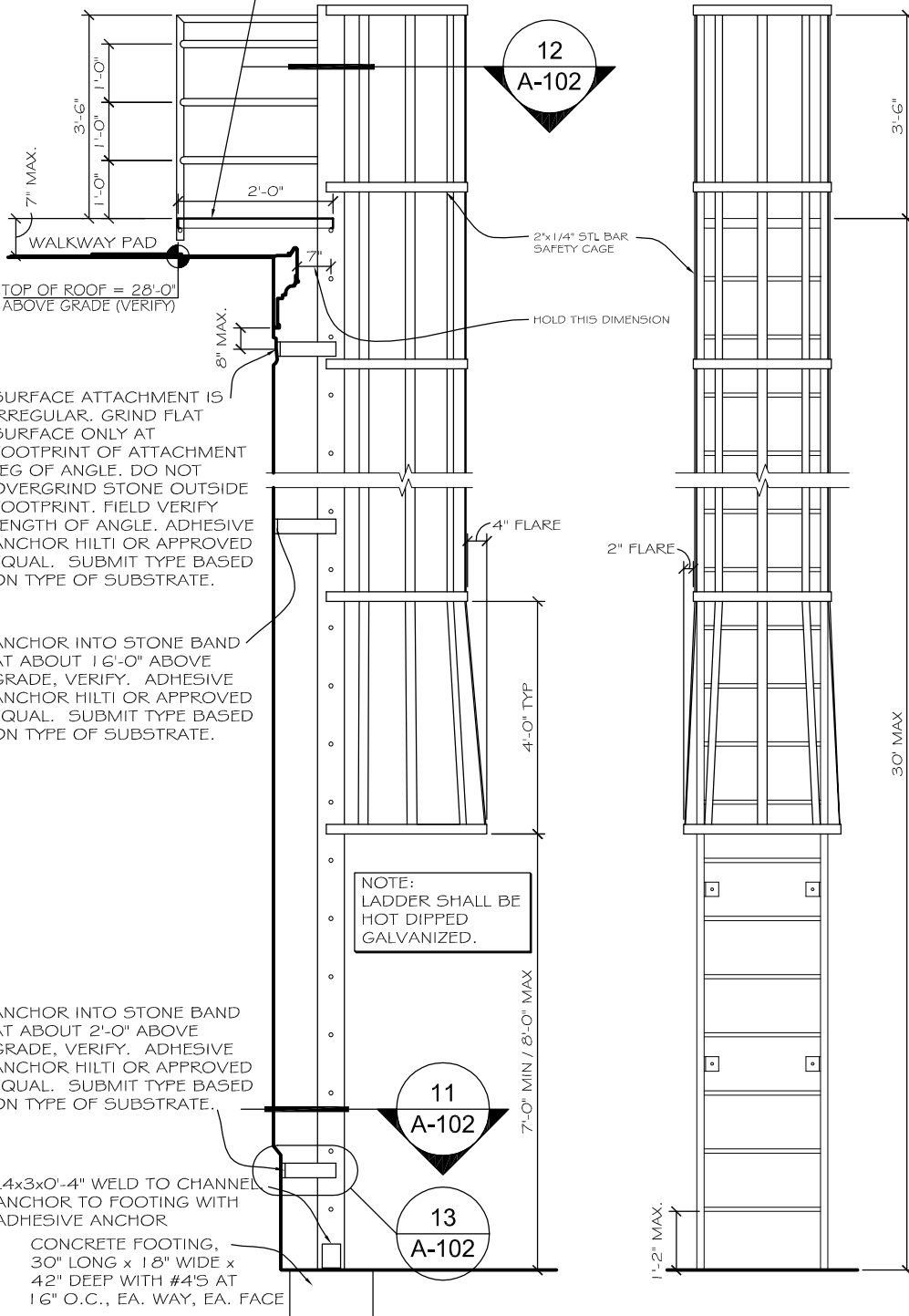
### THE FOLLOWING ITEMS ARE APPLICABLE TO THE DRAWINGS:

#### AD-1, ITEM 1:

In reference to drawing Sheet A-102, add ladder sections and details to the project as indicated on the attached Supplemental Drawings A-102.1 and A-102.2.

END AD-1

McNICHOLS GALVANIZED  
HEAVY DUTY GRIP STRUT  
2" GRATING



SURFACE ATTACHMENT IS IRREGULAR. GRIND FLAT SURFACE ONLY AT FOOTPRINT OF ATTACHMENT LEG OF ANGLE. DO NOT OVERGRIND STONE OUTSIDE FOOTPRINT. FIELD VERIFY LENGTH OF ANGLE. ADHESIVE ANCHOR HILTI OR APPROVED EQUAL. SUBMIT TYPE BASED ON TYPE OF SUBSTRATE.

ANCHOR INTO STONE BAND AT ABOUT 1'6"-0" ABOVE GRADE, VERIFY. ADHESIVE ANCHOR HILTI OR APPROVED EQUAL. SUBMIT TYPE BASED ON TYPE OF SUBSTRATE.

ANCHOR INTO STONE BAND AT ABOUT 2'-0" ABOVE GRADE, VERIFY. ADHESIVE ANCHOR HILTI OR APPROVED EQUAL. SUBMIT TYPE BASED ON TYPE OF SUBSTRATE.

L4x3x0'-4" WELD TO CHANNEL ANCHOR TO FOOTING WITH ADHESIVE ANCHOR

CONCRETE FOOTING,  
30" LONG x 18" WIDE x  
42" DEEP WITH #4'S AT  
16" O.C., EA. WAY, EA. FACE

NOTE:  
LADDER SHALL BE  
HOT DIPPED  
GALVANIZED.

**8** Elevation  
Scale: None

**9** Elevation  
Scale: None



Lincoln  
1221 N Street, Suite 600  
Lincoln NE 68508  
Phone 402-476-9700  
Fax 402-476-9722  
Vermillion  
15 East Main, Suite 201  
Vermillion SD 57069  
Phone 605-624-1081

Client Information

University of  
South Dakota

Vermillion, S.D. 57069

Project Information

Old Main  
Re-roof

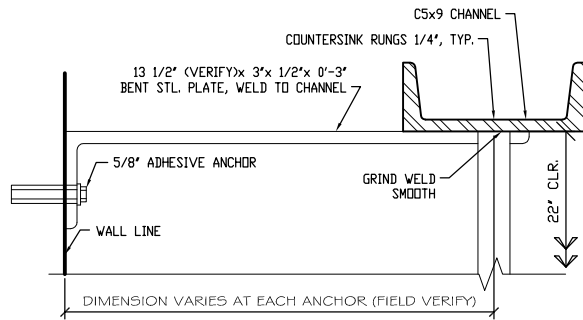
Issue Date	05-08-2012
Job #	12-0028
Drawn by:	Dan W.
CADD file:	A-102

COPYRIGHT © DAVIS DESIGN ALL RIGHTS RESERVED

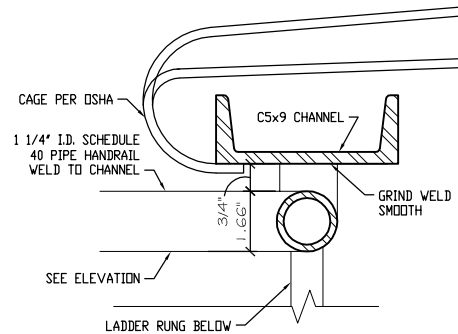
Drawing Title  
Drawing Title  
and Subtitle

From Sheet: A-102 for CA use:

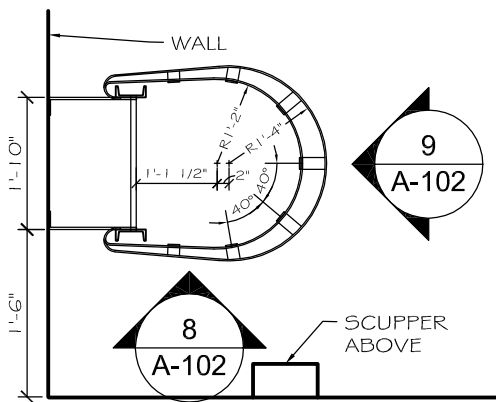
Drawing #  
A-102.1



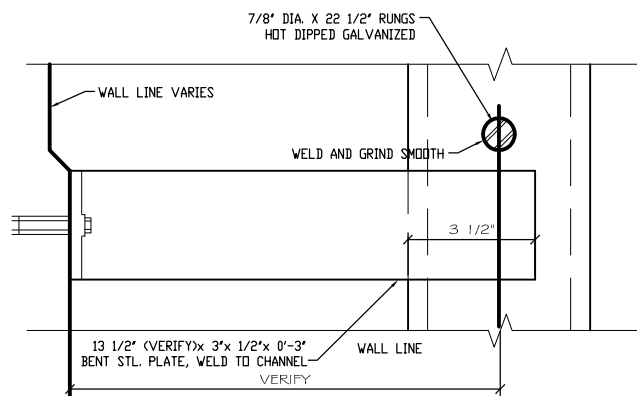
**11** Section  
Scale: None



**12** Section  
Scale: None



**10** Plan View  
Scale: 3/8" = 1'-0"



**13** Elevation  
Scale: None



**Lincoln**  
1221 N Street, Suite 600  
Lincoln NE 68508  
Phone 402-476-9700  
Fax 402-476-9722

**Vermillion**  
15 East Main, Suite 201  
Vermillion SD 57069  
Phone 605-624-1081

Client Information  
**University of South Dakota**  
Vermillion, S.D. 57069

Project Information  
**Old Main Re-roof**

Issue Date	05-08-2012
Job #	12-0028
Drawn by:	Dan W.
CADD file:	A-102
COPYRIGHT © DAVIS DESIGN ALL RIGHTS RESERVED	
Drawing Title Drawing Title and Subtitle	
From Sheet:	for CA use:
A-102	
Drawing #	
A-102.2	