



ARCHITECTURE • ENGINEERING • INTERIOR DESIGN

## ADDENDUM

**PROJECT:** Columbus Public Schools  
High School - Stage Floor Renovation  
Columbus, Nebraska

### ADDENDUM NUMBER

AD-2

### ISSUED BY:

Leroy Svatora, Architect

**PROJECT #:** 12-0064

**DATE ISSUED:** Friday, May 4, 2012

*This addendum is issued by the Architect to all known bidders before receipt of proposals, for the purpose of explaining, interpreting, or modifying the original plans and specifications. When enumerated by the bidder upon the proposal sheet, the information or instructions given hereon will be equally binding upon all parties as if included in the original plans and specifications.*

**BIDDER MUST ENTER THE NUMBER OF THIS ADDENDUM ON HIS PROPOSAL SHEET**

### THE FOLLOWING ITEMS ARE APPLICABLE TO THE DRAWINGS:

#### AD-2, ITEM 1:

In reference to drawing Sheet A-101, Detail P1, add note to remove existing expanded steel panels and associated support brackets on front wall of stage. Patch holes at removed fasteners.

#### AD-2, ITEM 2:

In reference to drawing Sheet A-101, Detail P1, remove existing guardrail at edge of orchestra pit area. Patch floor holes as required.

#### AD-2, ITEM 3:

In reference to drawing Sheet A-101, Detail P4, see attached Supplemental Drawing A-103 for extent of new stage extension (orchestra pit filler) and orchestra pit replacement guardrail.

Approved manufacturers for the de-mountable stage floor extension (pit filler) system include the following:

Secoa  
Stage Equipment Company  
Champlin, Minnesota  
Telephone: (763) 506-8800

StageRight  
Claire, Michigan  
Telephone: (800) 438-4499

New de-mountable stage floor extension supplier / installer shall include the following:

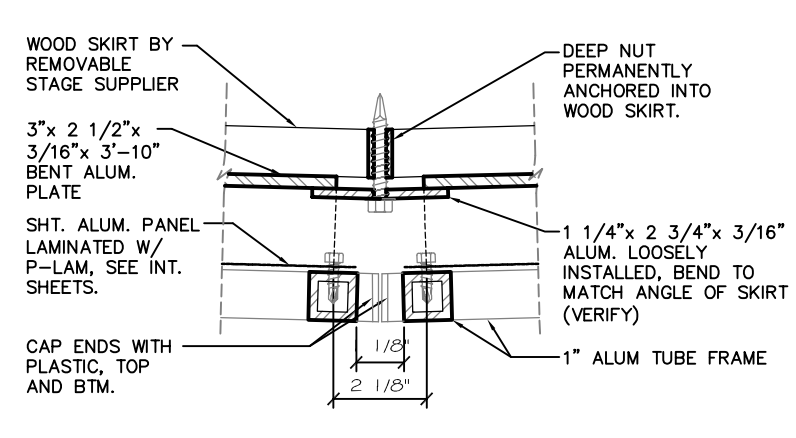
Provide transport storage carts for platform sections and adjustable height legs.

The approximate 5' high stage floor extension / orchestra pit filler shall consist of floor panel sections with removable, adjustable height support legs. The panels shall include recessed safety edge lighting with quick connectors for panel to panel continuity. See attached floor plan for configuration.

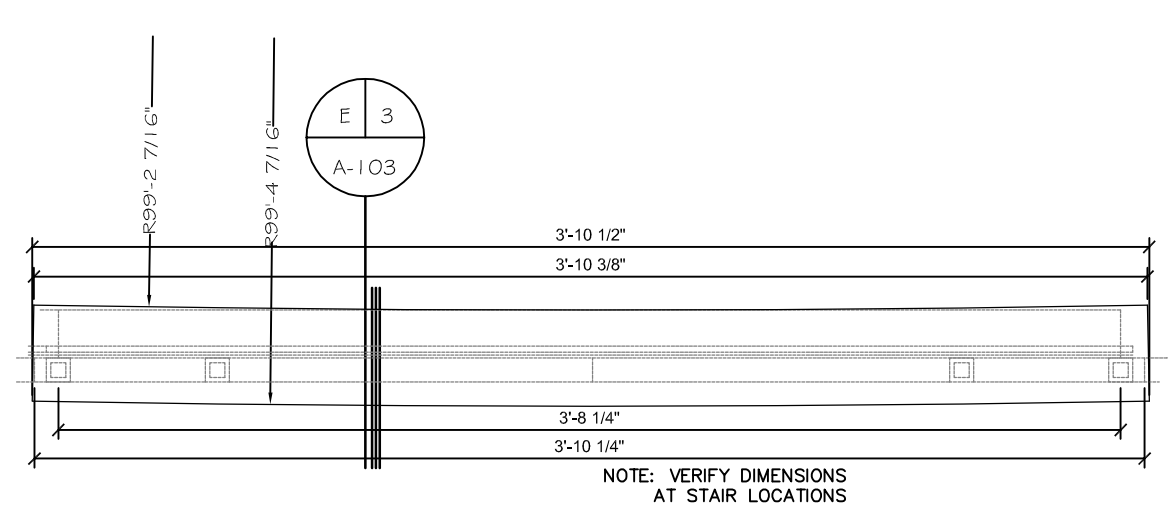
Include "Plyron" finished surface on platform sections to match new "Plyron" surface on permanent stage floor.

Include black anodized finish on aluminum support frames for platform sections.

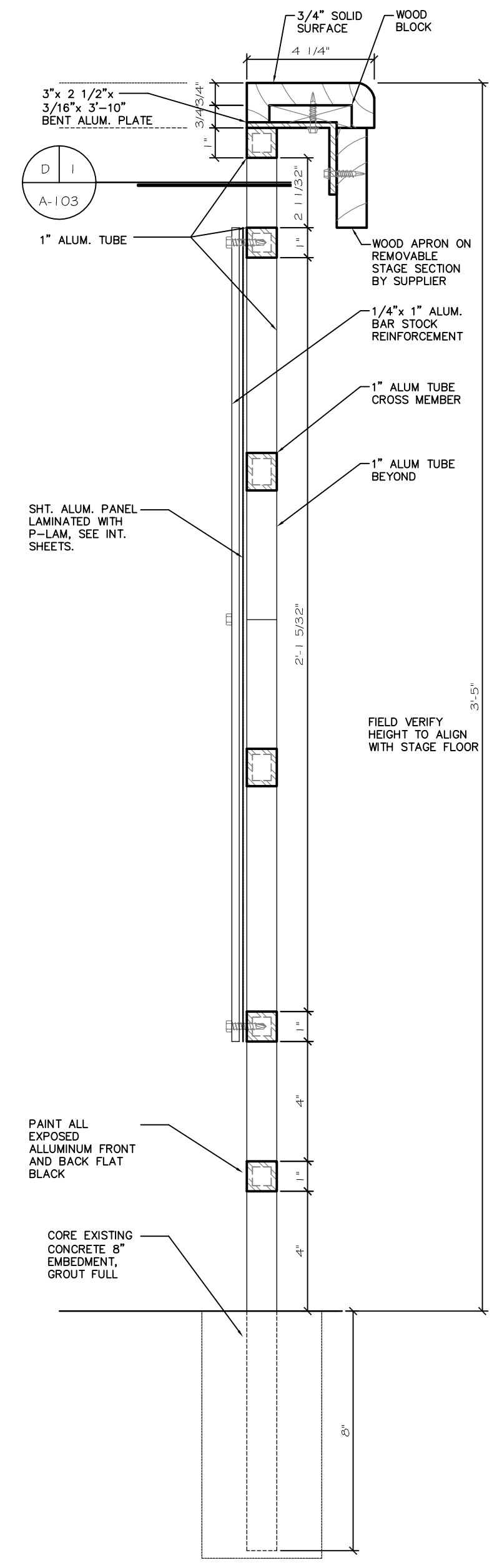
**END AD-2**



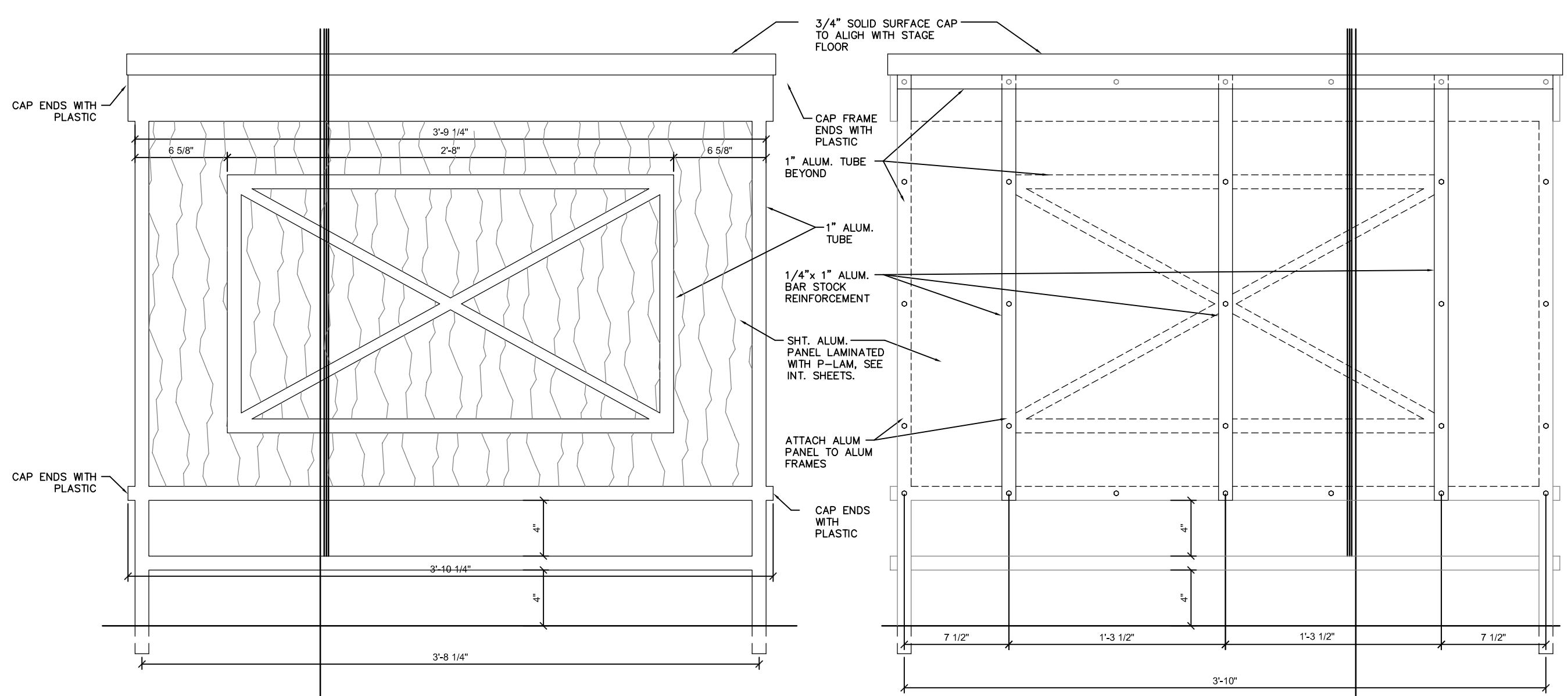
D 1  
A-103  
Panel Joint Detail  
SCALE: 3" = 1'-0"



P 2  
A-103  
Guardrail Plan Detail  
SCALE: 1 1/2" = 1'-0"

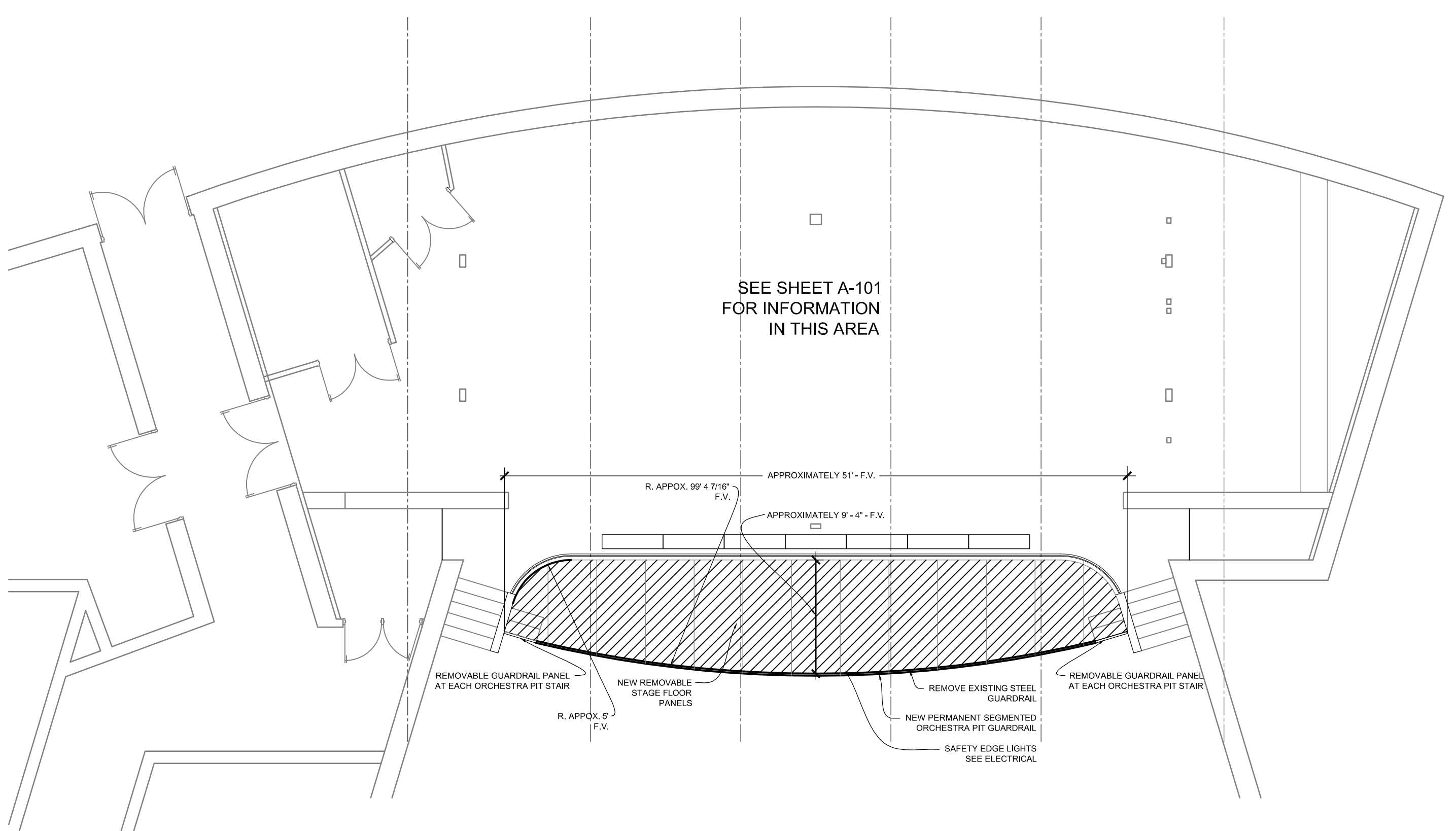


S 5  
A-103  
Guardrail Section  
SCALE: 3" = 1'-0"

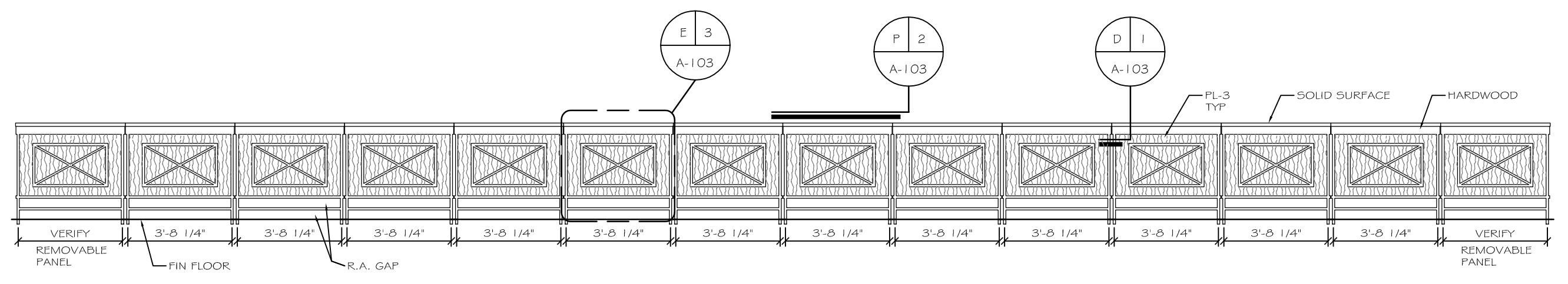


E 3  
A-103  
Front Guardrail Elevation  
SCALE: 1 1/2" = 1'-0"

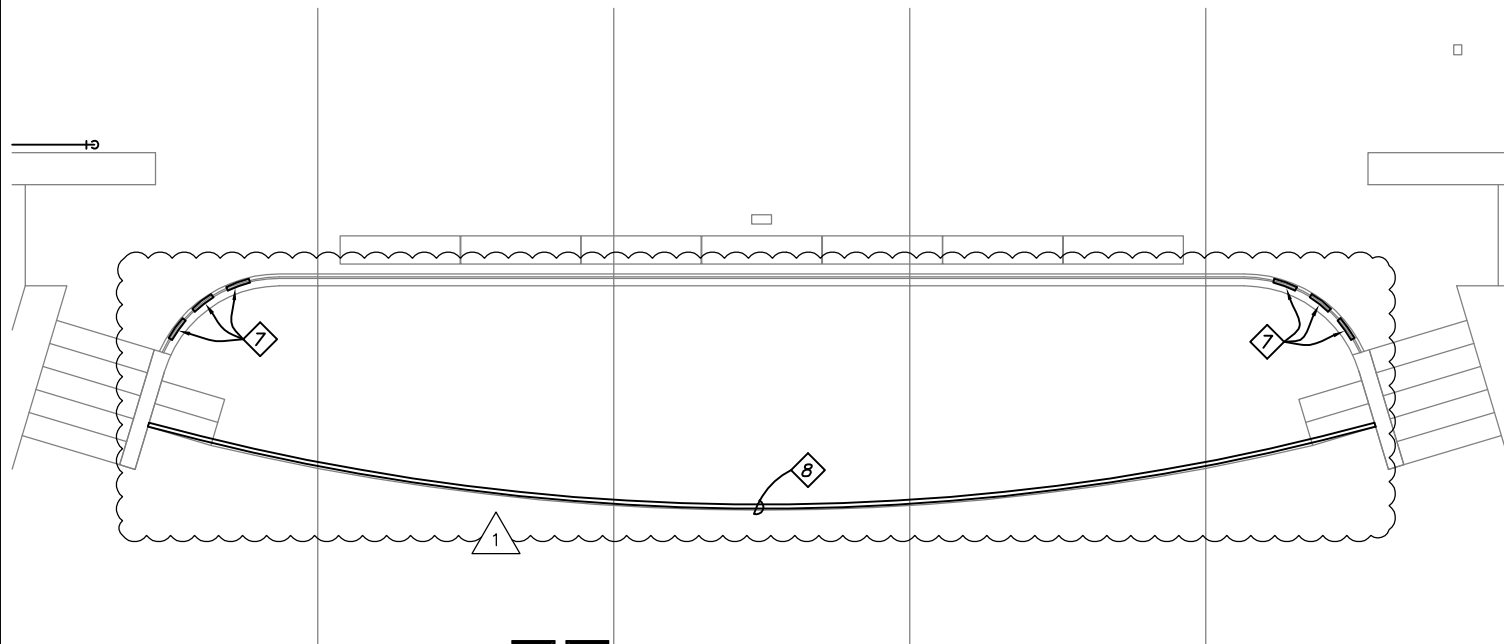
E 4  
A-103  
Rear Guardrail Elevation  
SCALE: 1 1/2" = 1'-0"



P 6  
A-101  
Orchestra Pit Filler Plan  
SCALE: 1/8" = 1'-0"



E 7  
A-103  
Guardrail Elevation  
SCALE: 1/4" = 1'-0"



1

### Floor Plan - Electrical

Scale: 1/8" = 1'-0"

- 7** PROVIDE ONE 12" LONG SEGMENT OF STAGE EDGE LIGHT TO BE INSTALLED IN ROUTERED GROOVE IN EDGE TRIP. SEE DETAIL 2. DRILL THROUGH STAGE FLOOR TO PROVIDE ACCESS/ROUTE FOR WIRING. TIE INTO WIRING OF 40' LONG STAGE FRONT EDGE LIGHTING PRIOR TO THE QUICK CONNECTOR THAT WILL CONNECT THESE SEGMENT TO THE LED DRIVER. PROVIDE WIRING AS REQUIRED TO REACH CONNECTION POINT BELOW THE STAGE. SECURE ALL WIRING EVERY 36". LIGHT SEGMENT SHALL BE FUTURE LIGHT "EDGE LYTE HEL/F/12"/6/A/C. SEGMENT SHALL HAVE 2 LEDS.
- 1**
- 8** PROVIDE 4 FOOT LONG SEGMENT, ADJUSTED FOR FINAL LENGTH OF PIT FILLER PLATFORMS, TO BE INSTALLED IN A ROUTERED GROOVE IN THE TOP OF THE PLATFORM. COORDINATE WITH PIT FILLER MANUFACTURER. EACH SEGMENT SHALL HAVE 3' LONG WIRING ROUTED THROUGH THE PLATFORM AT EACH END, EXCEPT FOR FIRST SEGMENT, WHICH SHOULD HAVE 30 FOOT OF WIRING, AND LAST SEGMENT, WHICH SHOULD HAVE ONLY ONE END WITH WIRING, SO ALL SEGMENTS CAN BE CONNECTED TOGETHER BELOW THE PLATFORMS AND FORM A CONTINUOUS CIRCUIT. WHEN ALL CONNECTED, THIS STAGE EDGE LIGHT SHALL BE CONNECTED TO THE DIMMER SUPPLY AND THE PERMANENT STAGE FRONT EDGE LIGHTING CIRCUIT SHOULD BE DISCONNECTED. TOTAL LENGTH OF PIT FILLER STAGE EDGE LIGHTING CIRCUIT SHALL BE APPROXIMATELY 50'.

Lincoln  
1221 N Street, Suite 600  
Lincoln NE 68508  
Phone 402-476-9700  
Fax 402-476-9722

Vermillion  
15 East Main, Suite 201  
Vermillion SD 57069  
Phone 605-624-1081



#### Client Information

Columbus Public High School

Columbus, Nebraska

#### Project Information

High School  
Auditorium Stage Floor  
Renovation

Issue Date	05-03-2012
Job #	12-0064
Drawn by:	...
CADD file:	-

COPYRIGHT © DAVIS DESIGN ALL RIGHTS RESERVED

#### Drawing Title

Floor Plan - Electrical

From Sheet: E-101 for CA use:

Drawing #  
E-101.1