

ADDENDUM NO. CC-1

GOTHENBURG PUBLIC SCHOOLS  
COMMUNITY BUILDING GYM REROOF  
GOTHENBURG, NEBRASKA  
DLR GROUP PROJECT NO. 10-11111-05

GENERAL CONTRACT FOR CONSTRUCTION



1111 Lincoln Mall, Suite 201  
Lincoln, NE 68508  
tel 402/742-4200  
fax 402/742-7100  
omaha@dlrgroup.com  
www.dlrgroup.com

May 1, 2012

NOTICE TO BIDDERS: Amend the Project Manual and Drawings to the above referenced project as follows:

DRAWINGS

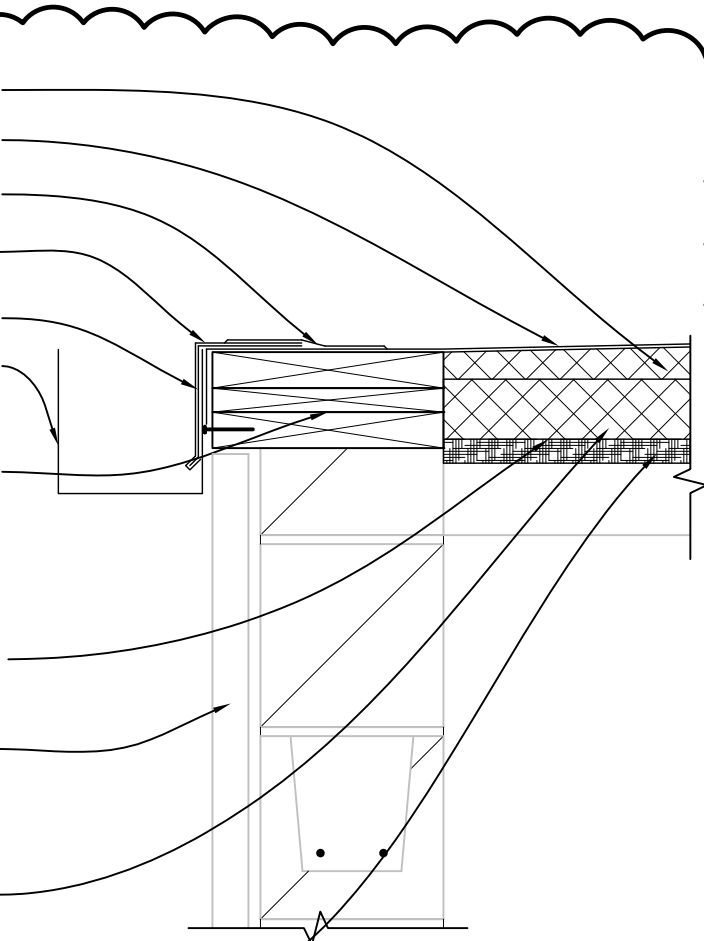
ITEM NO. 1 DRAWING A1.1 ROOF PLAN AND DETAILS

- A. Modify Detail 11/A1.1. per Attachment No. A1.
- B. Modify Detail 12/A1.1. per Attachment No. A2.

END OF ADDENDUM

ADD #1

- TAPERED INSULATION
  - EPDM ROOFING SYSTEM
  - 5" QUICK-SEAM MATERIAL
  - PREMANUFACTURED METAL FASCIA PANEL  
TURNED DOWN INTO CHANNEL OF GUTTER
  - CONTINUOUS CLEAT
  - REINSTALLED METAL GUTTER AND  
DOWNSPOUT SYSTEM
  - BLOCKING—HEIGHT VARIES  
WITH TAPERED INSULATION
- BASE SHEET ADHERED TO FIBER BOARD  
PRIOR TO 2-PLY HOT ASPHALT TEMPORARY ROOF  
WHICH WILL ALSO FUNCTION AS VAPOR BARRIER.  
ENSURE NO PENETRATIONS THROUGH TEMPORARY  
ROOF. TEMP ROOF TO BE FIBERGLASS BASE  
LAYER W/ ORGANIC OR FIBERGLASS FELT LAYER  
AND CAPPED WITH A BASE SHEET
- EXISTING METAL PANEL — UNFASTEN AS  
NECESSARY AND LEAVE IN PLACE IN ORDER  
TO BE CUT TO LENGTH AT TOP OF WALL BEHIND  
PREFINISHED METAL FASCIA TRIM
- 2-1/2" BASE LAYER OF INSULATION ADHERED  
TO TEMPORARY ROOF
- 1" FIBER BOARD ADHERED TO TECTUM  
DECK BELOW ALL TEMPORARY ROOF LOCATIONS



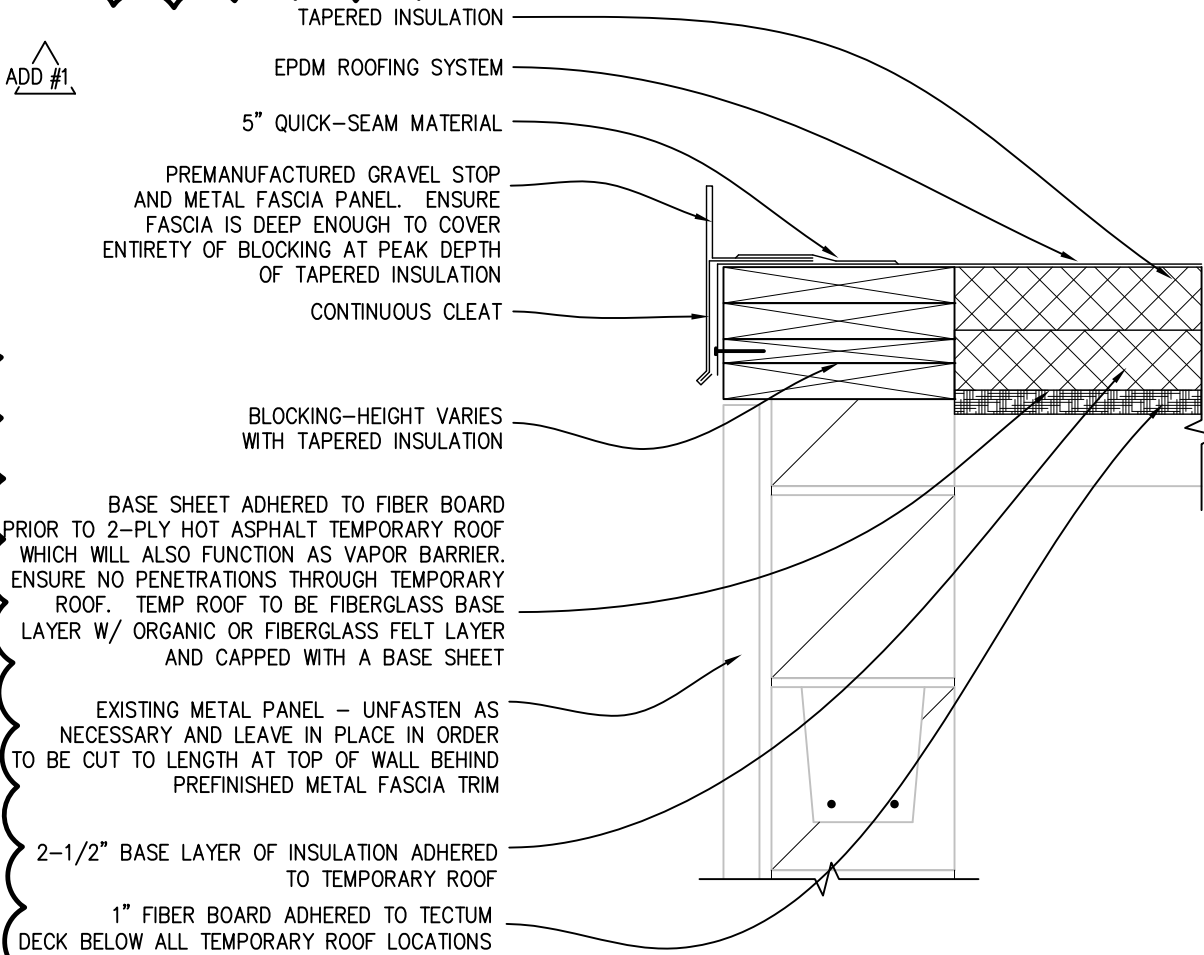
# EAST/WEST ROOF EDGE DETAIL

11  
A1.1

SCALE: 1 1/2"=1'-0"

Attachment No. A1  
to Addendum No. CC-1  
Dated: May 1, 2012

ADD #1



## NORTH/SOUTH ROOF EDGE DETAIL

12  
A1.1

SCALE: 1 1/2"=1'-0"

Attachment No. A2  
to Addendum No. CC-1  
Dated: May 1, 2012